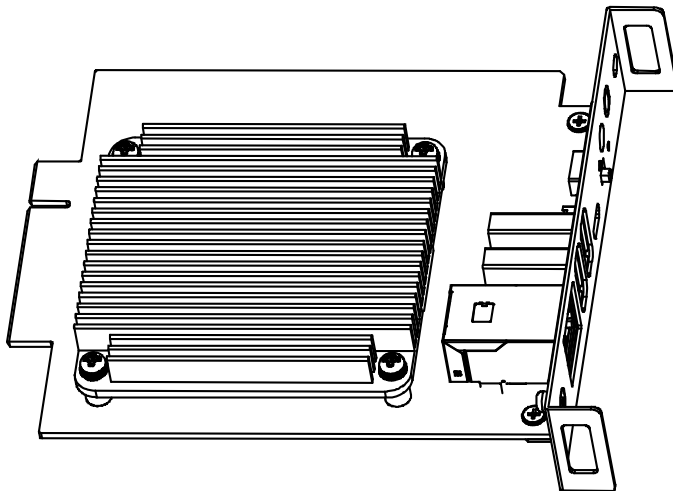


# NEC Large-Screen Displays Raspberry Pi Compute Module 4 Setup Guide

---

Revision: 211020



# Introduction

---

This document describes the features, installation, connectivity, and configuration of the Raspberry Pi Compute Module 4 support in NEC Large-Screen display models. Please see “Requirements” on page 10 for a current list of supported displays and Raspberry Pi hardware.

---

## Notes:

1. The acts of disclosure, duplication, and modification of part or whole contents in this reference manual without permission are prohibited.
2. The contents of this reference manual are subject to change without notice.
3. Great care has been taken in the preparation of this reference manual; however, should you notice any questionable points, errors or omissions, please contact us.

---

## Copyright and Trademarks

Copyright © 2021 Sharp NEC Display Solutions, Ltd.

The content of this manual is furnished for informational use only, is subject to change without notice, and should not be construed as a commitment by Sharp NEC Display Solutions, Ltd. Sharp NEC Display Solutions, Ltd. assumes no responsibility or liability for any errors or inaccuracies that may appear in this manual.

Windows® is a registered trademark of Microsoft Corporation.

NEC is a registered trademark of NEC Corporation.

Linux® is the registered trademark of Linus Torvalds in the U.S. and other countries.

Raspberry Pi is a trademark of the Raspberry Pi Foundation.

Apple, Macintosh, Mac, macOS and the Mac logo are trademarks of Apple Inc., registered in the U.S. and other countries.

Ubuntu is a registered trademark of Canonical Ltd.

# Contents

---

Introduction .....	2
Contents .....	3
Revision History.....	7
Basic Features .....	8
GPIO Summary.....	10
Interface Board internal connections and jumpers .....	10
Requirements .....	10
Important Cautions .....	11
About Wireless Connectivity (Wi-Fi and Bluetooth).....	11
Operating System Programming Procedure .....	12
<b>1 Basic Setup and Configuration Steps.....</b>	<b>13</b>
<b>2 Installing the Compute Module and NEC Compute Module Interface Board to the Display .....</b>	<b>14</b>
<b>3 Connections and Internal Operation .....</b>	<b>20</b>
3.1 USB device connections to the Compute Module .....	20
3.2 USB connections for programming the Compute Module .....	20
3.3 LAN connections .....	22
3.4 Software control via IR Remote .....	24
3.5 GPIO .....	27
<b>4 Preparing and running the tools to program the Compute Module .....</b>	<b>28</b>
4.1 Using a Windows PC as a host .....	28
<b>5 Miscellaneous Configuration Items.....</b>	<b>33</b>
5.1 Enabling the onboard USB 2.0 controller .....	33
5.2 Enabling 4K@60Hz video output .....	33
5.3 Configuring the correct HDMI video level encoding and decoding.....	33
5.4 To disable overscan (if black bars are visible on the sides of the screen) .....	35
5.5 To rotate the screen image to portrait orientation .....	35
5.6 To enable support for the IR Remote receiver using “lirc” .....	36
5.7 To test support for the IR Receiver by outputting raw data.....	37
5.8 To enable the serial port (UART) to the display and allowing application access .....	37
5.9 Testing internal serial communications to the display using the Python based NEC PD SDK ....	38

5.10	Configuring the Compute Module to shutdown using shutdown signal from the display.....	38
5.11	Reading and setting the display's internal Real Time Clock (RTC) from the OS .....	39
5.12	Using the display's Watchdog Timer (WDT) .....	40
5.13	Controlling the Compute Module power.....	41
5.14	Controlling the cooling fan automatically based on the CPU temperature.....	41
5.15	Checking and updating the display firmware version.....	42
5.15.1	Update using the NEC Display Firmware Update Tool for Windows .....	42
5.15.2	Update display firmware using a USB storage device .....	43
<b>6</b>	<b>Related OSD Settings .....</b>	<b>44</b>
6.1	Slot → Compute Module → Power Control → Power Supply .....	44
6.2	Slot → Compute Module → Power Control → Power Button .....	44
6.3	Slot → Compute Module → Power Control → Reset .....	45
6.4	Slot → Compute Module → Power Setting → Auto Power Up .....	45
6.5	Slot → Compute Module → Power Setting → Auto Shutdown .....	45
6.6	Slot → Compute Module → Power Setting → Power Supply Off Delay .....	46
6.7	Slot → Compute Module → Power Setting → Auto Display Off.....	46
6.8	Slot → Compute Module → Power Setting → Off Warning .....	47
6.9	Slot → Compute Module → Advanced Setting → Shutdown Signal.....	47
6.10	Slot → Compute Module → Advanced Setting → IR Signal .....	48
6.11	Slot → Compute Module → Advanced Setting → Monitor Control .....	48
6.12	Slot → Compute Module → Advanced Setting → WDT.....	48
6.13	Slot → Compute Module → Advanced Setting → WDT → Start Up Time.....	49
6.14	Slot → Compute Module → Advanced Setting → WDT → Period Time .....	49
6.15	Slot → Slot Power .....	50
6.16	Input →Advanced → CEC → CEC .....	50
6.17	Input →Advanced → CEC → Search Device .....	51
6.18	Control → USB → PC Source .....	51
<b>7</b>	<b>Useful Information and Commands .....</b>	<b>54</b>
7.1	To find out the IP address of the Compute Module from a terminal window .....	54
7.2	To restart from a terminal window.....	54
7.3	To shutdown from a terminal window .....	54
7.4	To run the Raspberry Pi Config utility from a terminal window .....	54

7.5	To change the keyboard layout to US from a terminal window .....	54
7.6	To add and remove packages from Raspberry Pi OS .....	55
7.7	To update the Raspberry Pi.....	55
7.8	To install the Python serial module .....	55
7.9	To mount a USB flash drive from the terminal .....	55
7.10	To access an SMB (Windows share) drive from the Raspberry Pi OS desktop .....	56
7.11	To list connected USB devices .....	56
7.12	To show available disk space .....	56
7.13	To show internal information about the Raspberry Pi .....	56
7.14	To download a file to the current directory.....	56
7.15	To find a file by name.....	57
7.16	To edit a protected system configuration file from the Raspberry Pi OS desktop .....	57
7.17	To prevent the screen saver from blanking the screen after several minutes.....	57
7.18	Monitoring the system processes, CPU usage, and memory .....	57
7.19	To enable and disable video output from the Compute Module to the display .....	57
7.20	To create an image of the Compute Module to backup or clone.....	58
7.21	Debug GPIO lines and overlay assignments.....	58
7.22	Assign different MAC address to the network interfaces.....	58
<b>8</b>	<b>Troubleshooting.....</b>	<b>59</b>
<b>9</b>	<b>Video CODECs .....</b>	<b>64</b>
<b>10</b>	<b>Python Based NEC PD SDK.....</b>	<b>65</b>
<b>11</b>	<b>Compute Module Configuration Tool for Raspberry Pi OS.....</b>	<b>67</b>
<b>12</b>	<b>Wireless connectivity installation and configuration .....</b>	<b>69</b>
12.1	Important cautions .....	69
12.2	Parts identification .....	70
12.3	Installing the antenna connector to the Compute Module and routing the coax cable .....	71
12.4	Enabling and disabling Wi-Fi at the hardware level.....	76
12.5	Selecting the external antenna in software.....	76
12.6	Bluetooth functionality .....	76
12.7	Troubleshooting wireless functionality.....	76
<b>13</b>	<b>External reference information .....</b>	<b>78</b>
<b>14</b>	<b>Frequently Asked Questions .....</b>	<b>80</b>

<b>15 Known Issues .....</b>	<b>84</b>
<b>16 Support .....</b>	<b>85</b>
<b>17 Disclaimer .....</b>	<b>86</b>

# Revision History

Revision	Date	Modified by	Description
210526	May 26, 2021	Will Hollingworth	Initial release
211020	October 20 2021	Will Hollingworth	Add wireless information

# Basic Features

---

- Operating System support
  - Select from many publicly available OS distributions and images depending on the application, such as: fully featured and ready to use networked media players, kiosk interfaces, full desktop based operating systems, and minimal systems.  
A custom developed NEC Media Player image is also available.
- Network connectivity
  - Gigabit LAN connection on the Raspberry Pi Compute Module Interface Board for direct high-speed connection to the Compute Module.
  - 10/100 LAN switch internal to the display provides network connectivity to both the display and Raspberry Pi Compute Module using a single network connection. The display's LAN control interface and the Compute Module will have their own IP address and network settings.
  - (Multiple LAN port display models<sup>1</sup>) Two of the display's LAN switch ports are available externally for daisy-chaining other devices.
    - LAN1 port should be used to connect to the network.
    - LAN2 output can be used to connect other LAN devices or displays.
  - Built-in Wi-Fi on supported models.
- USB connectivity
  - Two USB 2.0 Type-A connectors (500mA power) on the Raspberry Pi Compute Module Interface Board for connecting devices such as keyboards, mice, and other USB peripherals.
  - (Display models with "USB-A" connection<sup>2</sup>) An additional USB 2.0 internal connection to the display's built-in USB Type-A port. This port can be switched between the Raspberry Pi Compute Module, another SDM based device, or an external PC. This can be set to switch automatically, depending on the currently selected video input, or fixed to a specific source.
  - Direct programming of the Compute Module from an external PC via a USB 2.0 Micro-B connector on the Raspberry Pi Compute Module Interface Board.
- Internal IR Remote receiver and pass through to the Raspberry Pi Compute Module
  - The display's IR Remote can be used to operate software running on the Raspberry Pi Compute Module, such as a media player, via standard IR Remote Control units. The IR Remote communicates to the Compute Module via the display's internal remote control sensor or external KT-RC3 sensor. It will be necessary to configure such software with the IR codes for the remote control units being used.
  - This uses GPIO 18 on the Raspberry Pi.

---

<sup>1</sup> Current display models with multiple LAN ports on the terminal panel: MA431, MA491, MA551, P435, P495, P555

<sup>2</sup> Current display models with port labeled "USB-A" on the terminal panel: MA431, MA491, MA551, P435, P495, P555



- CEC support between the display and the Raspberry Pi Compute Module.
  - Facilitates the use of the display's IR Remote buttons to control the basic navigation functions of compatible software, such as media players.
- Internal serial connection between the display and the Raspberry Pi Compute Module
  - Allows full control and monitoring of the display from the Compute Module.
  - This uses GPIO 14 & 15 (UART0) on the Raspberry Pi Compute Module.
  - A Python based SDK is available from Sharp NEC Display Solutions for easy software development. See Python Based NEC PD SDK on page 65.
- Real Time Clock support via the display's internal clock
  - The display's internal Real Time Clock can be read and set via the Compute Module, using the internal serial connection and the Python based SDK.
  - This can be used to set the system time when no network connection is available.
- Shutdown signal support
  - The display can signal to the Operating System, running on the Raspberry Pi Compute Module, that the power is about to turn off so the software and OS can shutdown gracefully.
  - This uses GPIO 23 on the Raspberry Pi Compute Module.
- Full power control
  - Power for the Compute Module can be configured to automatically turn on when the display is turned on from a standby mode, or it can be turned on separately via the display's OSD, HTTP interface, or network commands.
  - By default, the Compute Module will remain powered on even when the display goes into standby mode and can be turned off separately via the display's OSD, HTTP interface, or network commands.  
The display can be configured to turn off the Compute Module power with the display power.
- Watchdog timer support
  - Can be used to reset a locked CPU by automatically restarting the Compute Module. A restart will occur if no periodic reset signal is received from the Compute Module within a certain time period.
- Built in touchscreen support
  - For display models integrated with an optional 3<sup>rd</sup> party touchscreen, the USB touch device will appear as a standard USB HID (Human Interface Device) device to the Compute Module.
- Wi-Fi and Bluetooth support
  - See the following section About Wireless Connectivity (Wi-Fi and Bluetooth) on page 11 for information about the wireless connectivity.
- Cooling
  - The large heatsink combined with cooling fans integrated within the display simplifies heat management.

- A temperature sensor within the display automatically starts the cooling fans when needed. Additionally, the Compute Module itself can request the cooling fans run by driving GPIO 24 to a high state. This is compatible with the Raspberry Pi OS Fan GPIO control mechanism.
- Status indicator
  - LED indicator on the Raspberry Pi Compute Module Interface Board shows the status of power (red) and activity (orange).

## GPIO Summary

---

- GPIO 14 & 15 (UART0 TX & RX) – internal serial connection to the display for control
- GPIO 18 – (input to Compute Module) demodulated IR receiver from the display
- GPIO 23 – (input to Compute Module) shutdown signal
- GPIO 24 – (output from the Compute Module) cooling fan control

See section 3.5 GPIO on page 27 for more details.

## Interface Board internal connections and jumpers

---

- A jumper header labeled `EEPROM_nWP` on the Interface Board can be used to write-protect the Compute Module’s EEPROM by installing a jumper across the two pins.
- (DS1-IF21CE interface board only.) A jumper header labeled `WF_nDisable` on the Interface Board can be used to disable the Compute Module’s Wi-Fi function by installing a jumper across the two pins.

## Requirements

---

- Compatible NEC display models
  - M431      ○ MA431      ○ ME431      ○ P435
  - M491      ○ MA491      ○ ME501      ○ P495
  - M551      ○ MA551      ○ ME551      ○ P555
  - M651                              ○ ME651
- NEC Compute Module 4 Interface Board
  - DS1-IF20CE or DS1-IF21CE
- Raspberry Pi Compute Module 4
  - Supports all eMMC based variants, including all RAM and wireless configurations.

- Note: “Lite” versions of the Compute Module 4 without onboard eMMC Flash memory are not supported.
- Internet connection
- LAN hub and standard network cables
- Standard USB 2.0 or 3.x cable (USB to USB Micro-B) for programming.  
Lengths of up to 10 feet or 2.5 M can be used with high quality USB cables.
- Host PC running either Windows, macOS, or Ubuntu, or a standard Raspberry Pi 1 / 2 / 3 / 4 running Raspberry Pi OS
- USB keyboard and mouse for connecting to the display (recommended)
- Operating system .img file
- Software configuration tools (see following sections)

## Important Cautions

---

- Always disconnect the display from AC power when inserting or removing the Interface Board from the display.
- The two sets of connectors on the Compute Module 4 and the Interface Board are very fragile and are rated at about 30 insertions maximum. Therefore, do not mate and un-mate the two unnecessarily.
- When mating the Compute Module 4 to the Interface Board pay careful attention to the orientation of the Compute Module.
- The included heatsink should be attached to the Compute Module after testing and before final installation to provide cooling for the Compute Module. The included thermal conductive sheet should always be used between the heatsink and the Compute Module.
- Disconnect the programming USB Micro-B cable from the Interface Board when programming is complete. Leaving it connected will result in the USB ports and internal 10/100 LAN being inactive.

## About Wireless Connectivity (Wi-Fi and Bluetooth)

---

- The DS1-IF21CE interface board together with a wireless enabled version of the Compute Module 4 and external antenna kit can be used for Wi-Fi functionality. At the time of writing, Bluetooth functionality is disabled pending regulatory approvals. See the relevant sections of this guide for information on installing and configuring the wireless functions.
- An external USB wireless adapter “dongle” can be used can be used with either the DS1-IF20CE or DS1-IF21CE Interface Boards to provide wireless functions.

# Operating System Programming Procedure

---

If a Compute Module was included with the kit, it may be pre-programmed with the NEC MediaPlayer image. This can be overwritten as desired.

Standard Compute Modules from Raspberry Pi are not programmed with an Operating System by default.

The OS can be installed after placing the Compute Module in programming boot mode. This allows the Compute Module to appear as a USB device to another “host” PC or Raspberry Pi. The Operating System is then programmed, or “installed”, from the host to the Compute Module over USB. After the OS is programmed successfully, any necessary configuration options can be made, and the Compute Module can be restarted in normal boot mode.

The “host” can be a PC running Windows® or Linux®, or a standard Raspberry Pi 1, 2, 3, or 4 with Raspberry Pi OS. If using a Linux based PC or Raspberry Pi as a host, a small utility will need to be downloaded and compiled on the host.

**Important:** The Compute Module will typically not display video until it has been programmed with a compatible Operating System.

---

# 1 Basic Setup and Configuration Steps

---

The following list shows the basic steps that will be performed:

---

1. Physically install the Raspberry Pi Compute Module 4 into the NEC Compute Module Interface Board and install into the display. See section 2 on page 14 for details.
2. Connect the host PC to the Interface Board in the display via the USB Micro-B connector for programming the module. Connect other USB devices, such as a keyboard and mouse, for configuration and use. See section 3 on page 20 for details.

**Note: If the Compute Module is to be programmed with a new OS, follow these steps after connecting any USB devices:**

---

1. Select and download the OS to install on the Compute Module as well as any other software tools. See section 4 on page 28 for details.
2. Prepare and run the tools to make the Compute Module appear as a Mass Storage device on the host system so the OS can be imaged.
3. Image the OS from the host system to the Compute Module.
4. Configure any boot options by editing the config.txt and cmdline.txt files on the boot partition. See section 5 on page 33 for details.
5. Restart the Compute Module.
6. Configure other boot and runtime options. See section 7 on page 54 for details.
7. Check for any system and firmware updates. See section 7.7 on page 55.

## 2 Installing the Compute Module and NEC Compute Module Interface Board to the Display

1. Disconnect AC power from the display.
2. Install a Compute Module into the connector of the Interface Board. Check that the Compute Module is oriented correctly before fully inserting it into the connector. Carefully align the two rows of connectors and press together evenly to snap together.

**Caution:** Take static precaution measures when handling the boards.

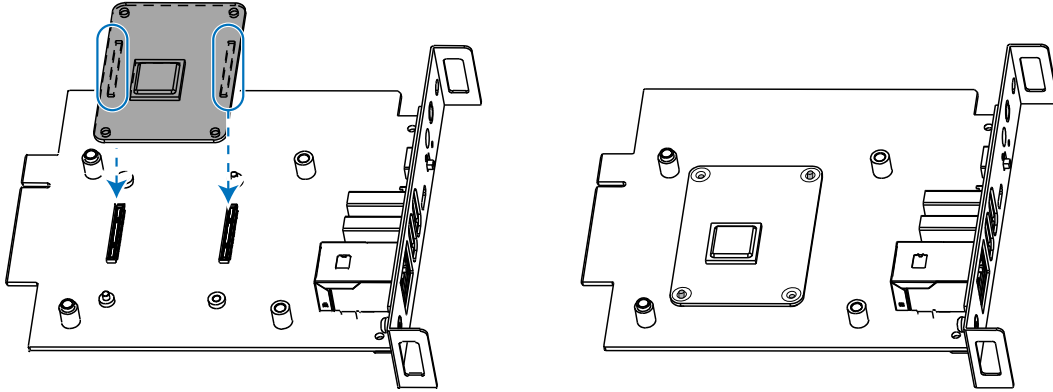


Figure 2-1: Install the Raspberry Pi Compute Module

3. Confirm the Compute Module is correctly mated by looking at each corner of the Interface Board. Metal posts should protrude from two corners, diagonal from each other.

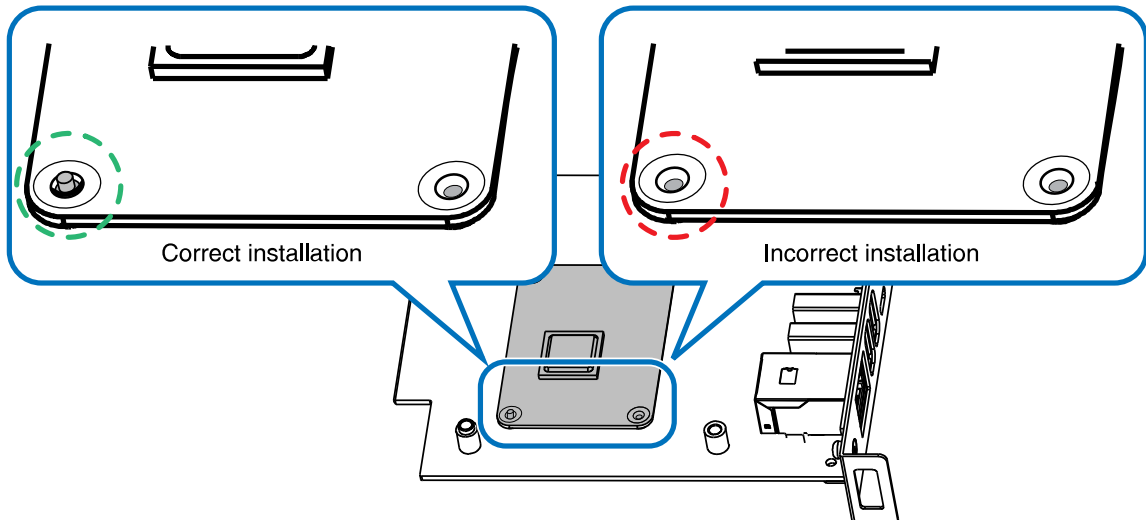
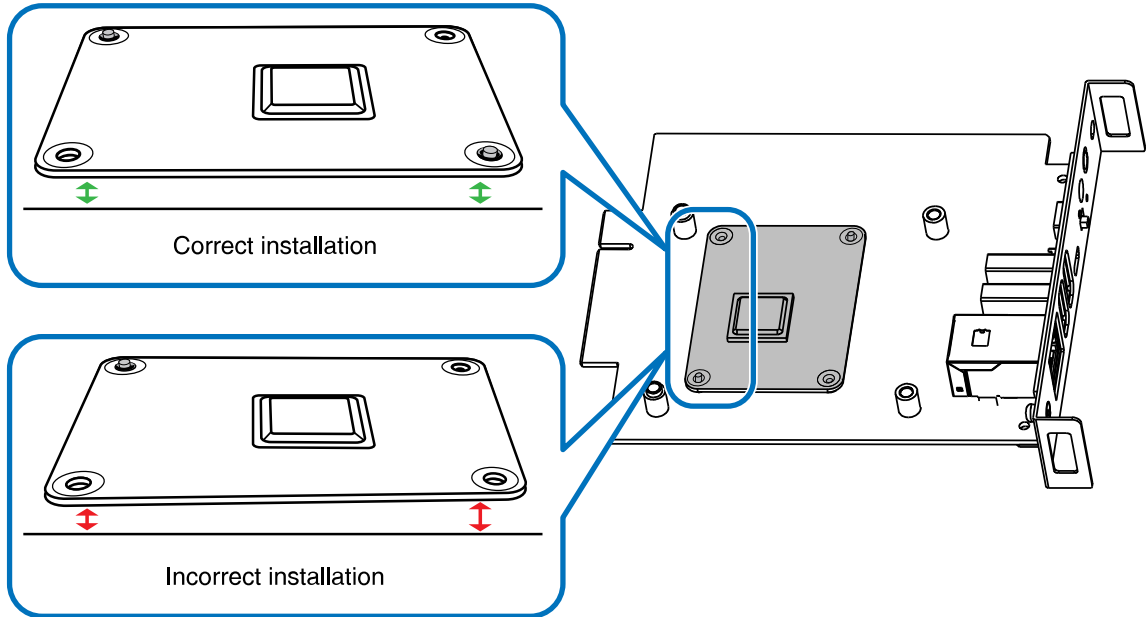


Figure 2-2: Confirm correct installation by alignment of metal posts

**Note:** to ensure proper orientation for Compute Module installation, the Interface Board has two diagonal posts that protrude through two corners of the Compute Module. The opposite two corners of the Compute Module rest on two screw hole pillars. It is not necessary to secure

the Compute Module using screws since the heatsink will be used to hold it in place. However, if desired two 2mm or 2.5mm M2 screws [not supplied] can be used.

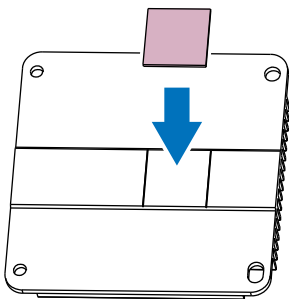
4. Check the distance between the Interface Board and Compute Module; it should be equal on all sides.



**Figure 2-3: Check all sides of the Compute Module on the Interface Board**

5. (DS1-IF21CE interface board only.) If installing the antenna for wireless functionality, follow the steps in Section 12 on page 69, then return to the following steps.
6. Peel the liner from one side of the thermal conductive sheet and stick the sheet to the underside of the heatsink.

**Important:** Carefully align the thermal conductive sheet within the engraved marks before adhering the sheet to the heatsink for proper alignment over the Raspberry Pi.



**Figure 2-4: Place thermal conductive sheet**

7. Peel the remaining liner from the thermal conductive sheet when you are ready to attach the heatsink to the Compute Module Interface Board.

**Important:** Remove the liner *before* attaching the heatsink to the Interface Board.

8. Attach the heatsink using the four M3 screws supplied with the kit.  
**Important:** Orientate the heatsink with the slotted hole in the bottom left corner before attaching, as shown in the figure. The thermal conductive sheet will press against the top of the Compute Module.

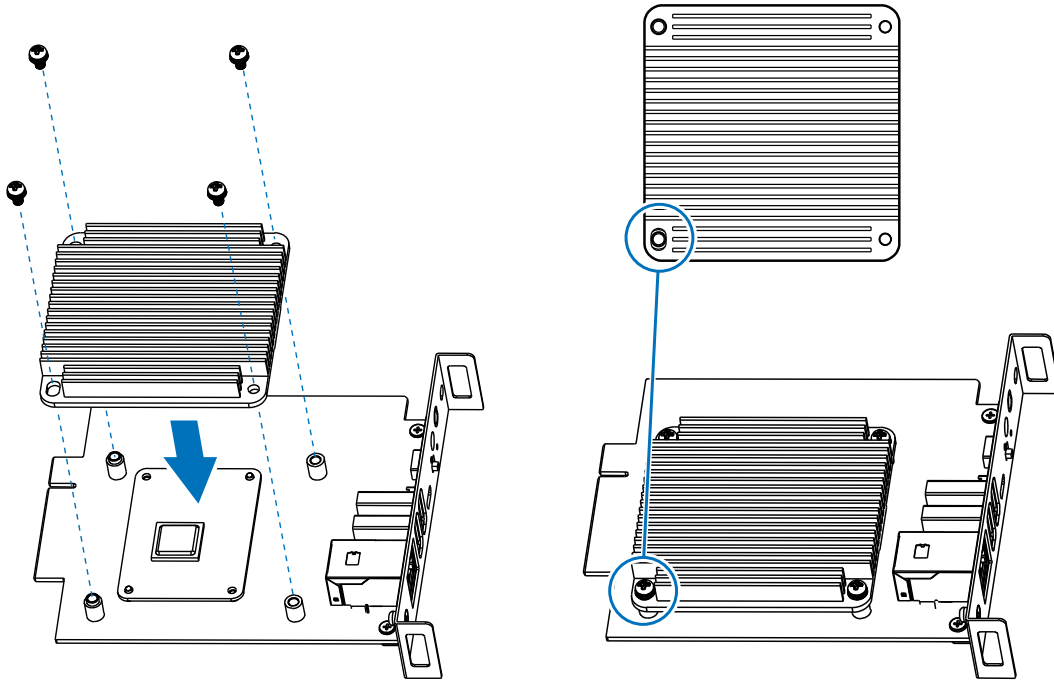
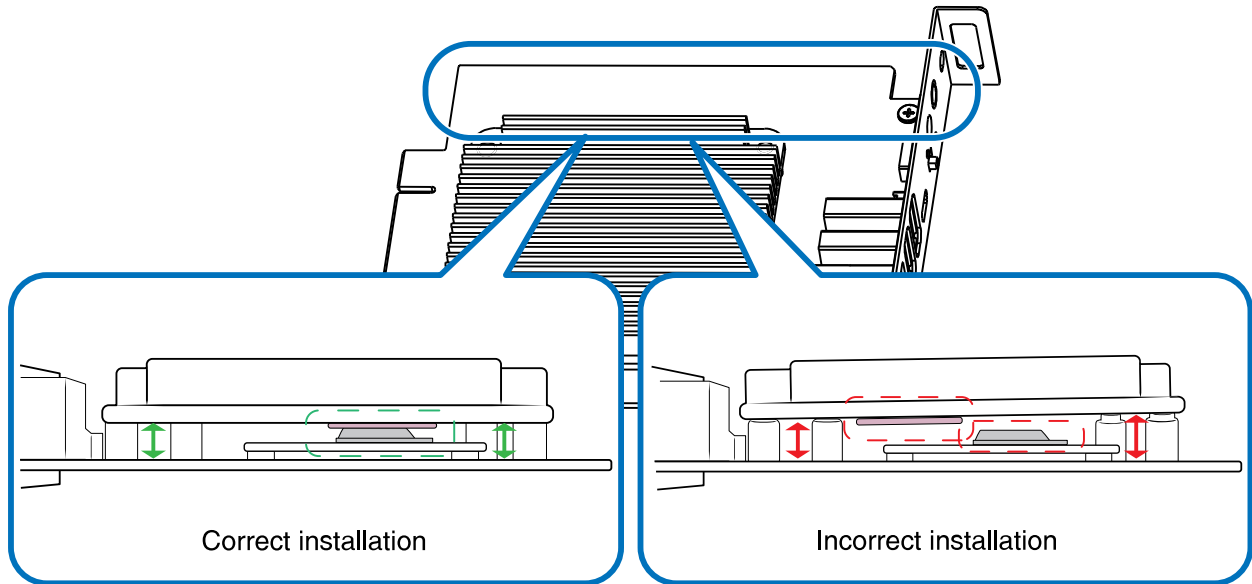


Figure 2-5: Attach the heatsink to the Interface Board



Confirm the heatsink is seated correctly by looking at the screw-hole posts on the Interface Board. The two posts on the outside edge should be inserted and flush to the surface of the heatsink. The heatsink rests on top of the two posts closest to the USB and LAN ports connection.

Check the distance between the Interface Board and the heatsink; it should be equal on all sides, the thermal sheet should press against the Compute Module, and the two screw-hole posts on the outside edge should be inserted into the heatsink.



**Figure 2-6: Check all sides of the heatsink**

9. On the side of the display, remove the two screws holding the slot cover in place and then remove the slot cover.

**Note:**

- Set the screws aside; they are used in the next step for securing the Compute Module Interface Board in the display.
- Do not discard the slot cover. It helps to limit dust and debris from entering the display and protect the internal components. Store it in a safe place for future use in case the Compute Module Interface Board is removed from the display later.

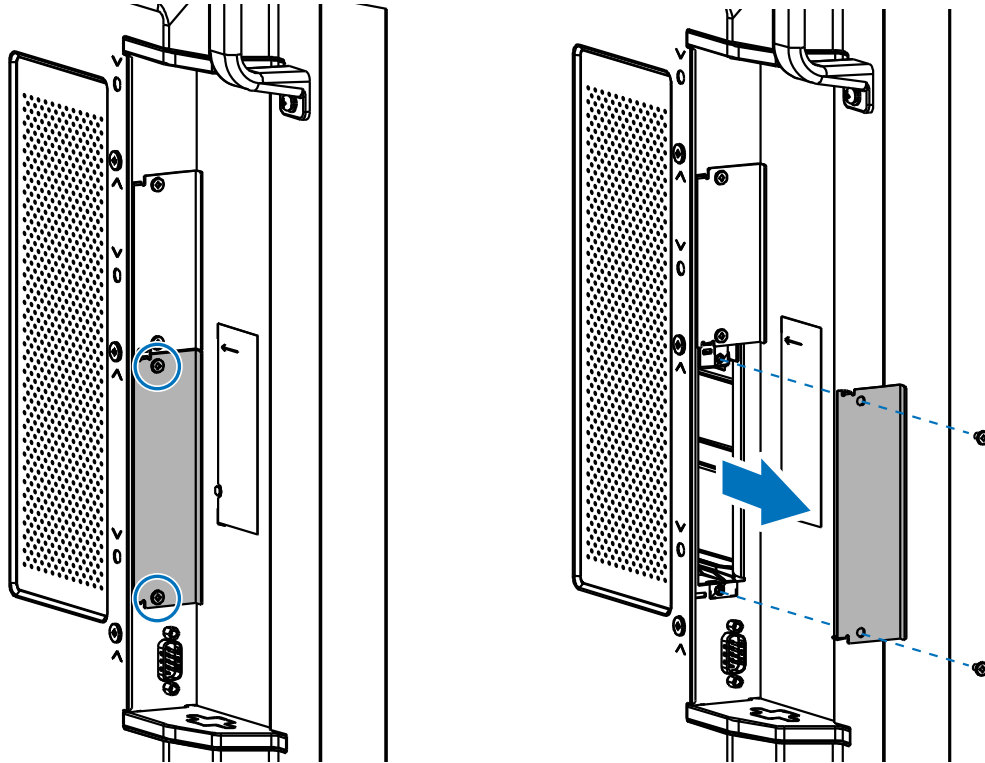
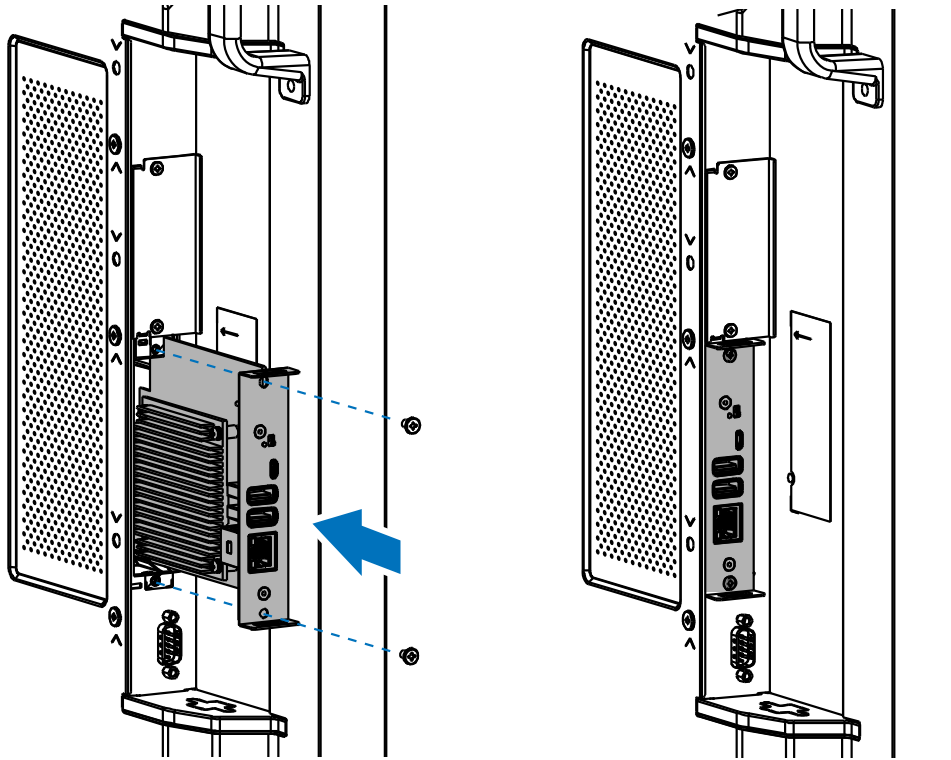


Figure 2-7: Remove slot cover from the display

10. Insert the Interface Board into the slot. Make sure to carefully align and fully insert the Interface Board into the slot and then secure it with the two screws removed in the previous step.



**Figure 2-8: Insert the Interface Board in the display**

11. Reconnect AC power to the display.

# 3 Connections and Internal Operation

## 3.1 USB device connections to the Compute Module

The two USB Type-A inputs on the side of the Interface Board are for connecting downstream USB devices, such as a keyboard and mouse, additional storage, external sensors and devices, or a Wi-Fi adapter, to the Compute Module. Both connectors are USB 2.0 and can supply 500mA of current each.

On some display models<sup>1</sup> there is an additional USB input on the display itself labeled “USB-A” that can be switched between the Compute Module, Internal PC (SDM), and an external PC connected to the USB-B connection on the display. It can be configured via the display’s OSD “PC SOURCE” setting (see section 6.18 on page 51) to switch automatically depending on the currently selected video input or fixed to a specific source. This allows devices such as a mouse or other input device to be shared automatically between different sources.

For display models<sup>1</sup> that have been integrated with an optional 3<sup>rd</sup> party touchscreen, the internal USB connection from the touch sensor will also follow the “PC SOURCE” setting so that as video inputs on the display are changed, the touchscreen connection will automatically switch to the correct source device.

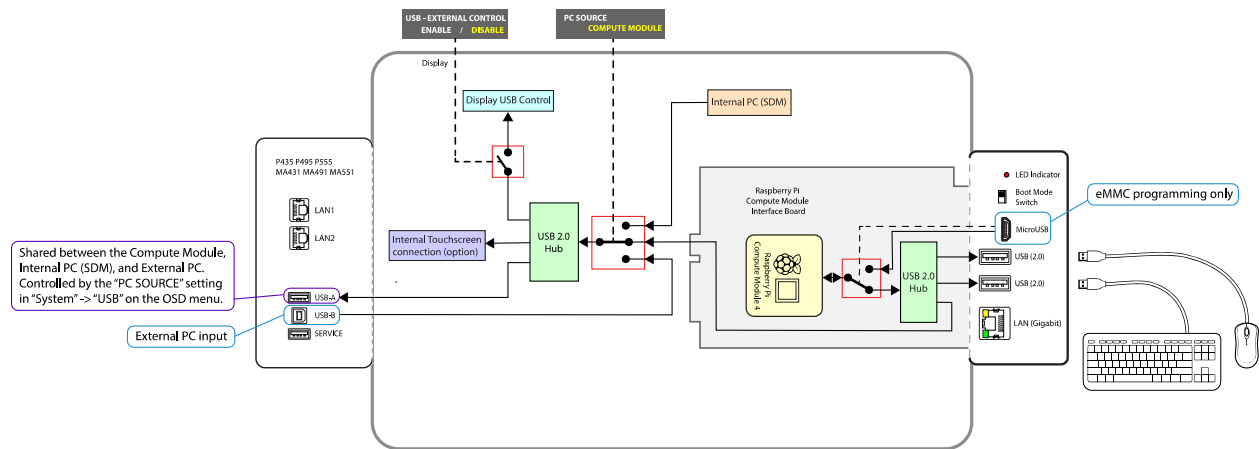


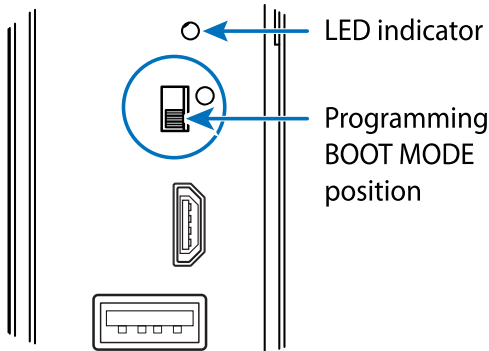
Figure 3.1-1: USB Device Connection

## 3.2 USB connections for programming the Compute Module

To program the Compute Module, an external “host” PC is connected to the USB Micro-B connector on the Interface Board. The Boot Mode switch on the side of the Interface Board should be moved to the position towards the USB connectors and the display powered on. After running the “rpiboot” utility, the Compute Module 4 will then appear as a USB device to the “host” PC, allowing it to be programmed.

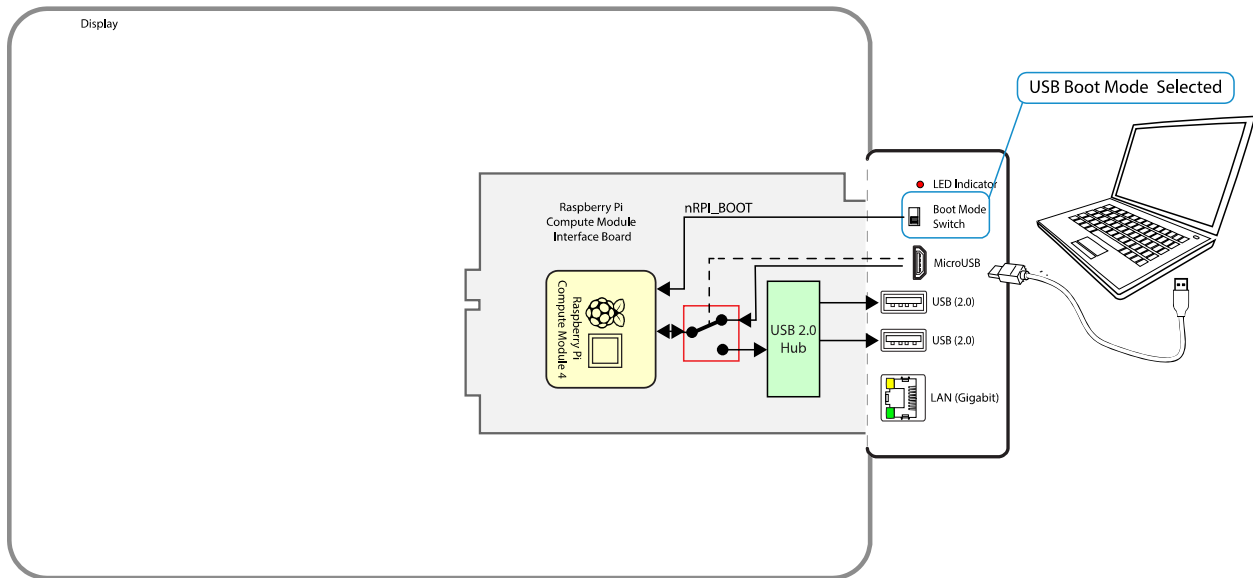
<sup>1</sup> Current display models with a “USB-A” port on the terminal panel and PC SOURCE in the OSD menu: MA431, MA491, MA551, P435, P495, P555

**Note:** The position of the Boot Mode switch is only recognized when power is initially applied to the Compute Module. Changing the position of the switch after power is applied to the Compute Module does not affect its operating/boot mode.



**Figure 3.2-1: BOOT MODE switch - programming mode**

**Important:** Remove the cable connected to the USB Micro-B port and the host PC after programming is complete. Failure to disconnect the cable may result in connected USB peripherals and the internal LAN hub not being detected by the Compute Module.



**Figure 3.2-2: Host USB Connection for Programming**

### 3.3 LAN connections

The Compute Module Interface Board features an onboard Gigabit LAN connection for direct high-speed connection to the Compute Module.

Additionally, an internal 10/100 Mbps interface on the Interface Board and LAN switch within the display provides network connectivity to both the display and Raspberry Pi Compute Module using a single network connection.

- The display's LAN control interface and the Compute Module will have their own IP address and network settings and can be configured via the display's OSD and internal web page.
- The IP address and network settings of the Compute Module are configured within the OS running on it.
- (Multiple LAN port models only<sup>1</sup>) Two of the display's LAN switch ports are available externally for daisy-chaining other devices.
  - LAN1 port should be used to connect to the network.
  - LAN2 output can be used to daisy-chain connect other LAN devices or displays.

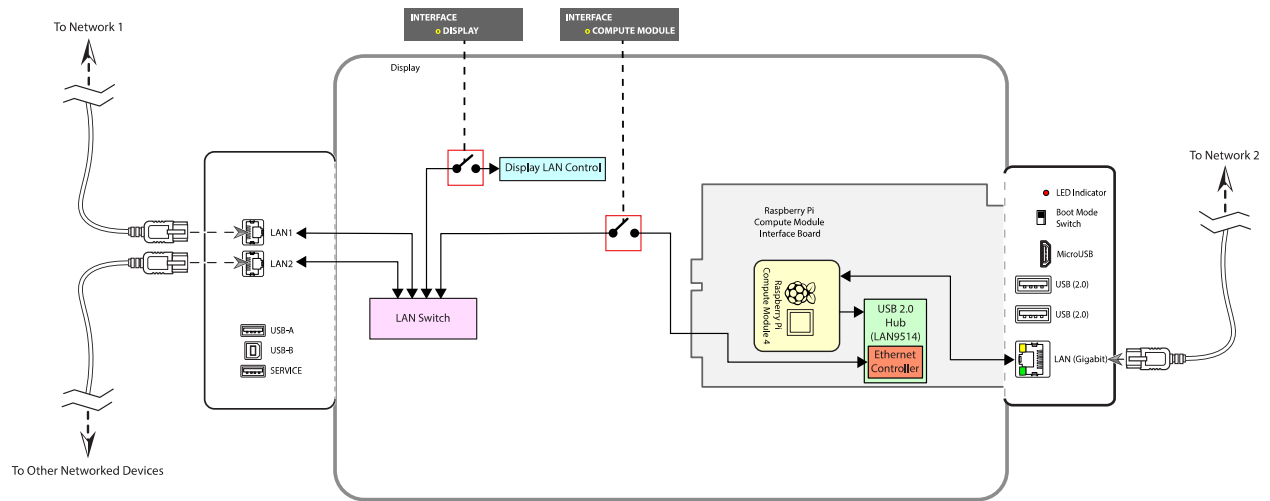
**Note:** The internal 10/100 Mbps interface uses LAN controller (LAN9514) connected to the Compute Module via USB 2.0. It is necessary to enable USB host mode support on the OS to use this interface. See 5.1 **Enabling the onboard USB 2.0 controller** on page 33 for more information.

**Important:** Both the Gigabit and 10/100 Mbps LAN interfaces will be assigned a MAC address based on the serial number of the Compute Module. At the time of writing, Raspberry Pi OS will assign identical MAC and IP addresses to both interfaces. This will lead to an illegal ethernet condition if both network ports are connected to the same network and may result in degraded or no network connectivity.

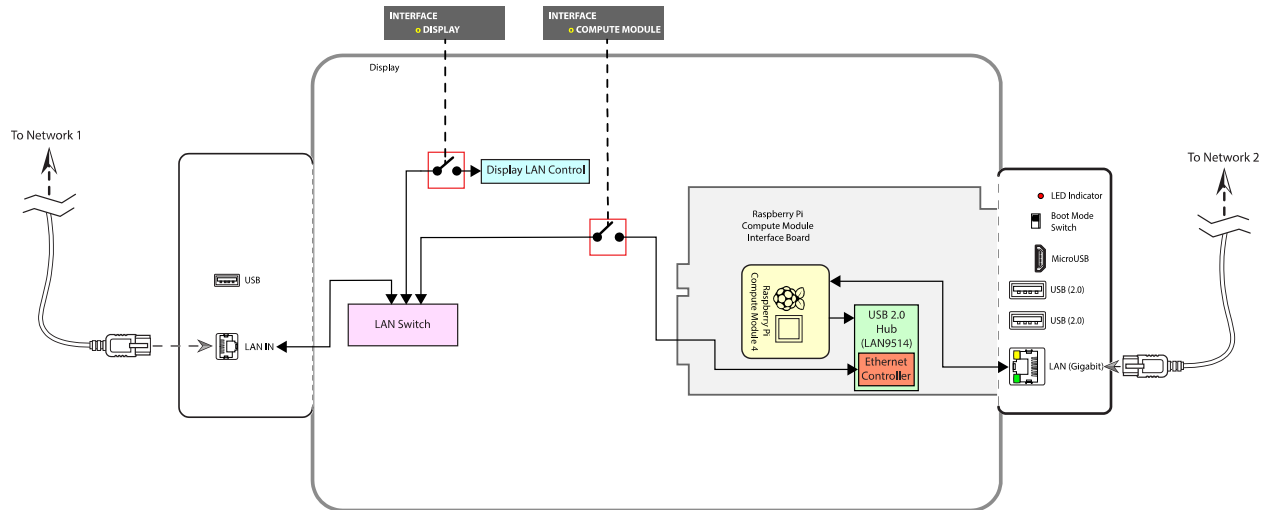
It is possible to assign a different MAC address to one of the network interfaces to avoid this. See section 7.22 on page 58.

**Note:** The LAN2 connection should be used for connecting to other displays that are daisy-chained or to other LAN devices. Functions such as AUTO ID and AUTO IP will not work correctly if displays are not daisy-chained correctly using the LAN1 and LAN2 connections.

<sup>1</sup> Current models with multiple LAN ports on the terminal panel: MA431, MA491, MA551, P435, P495, P555



**Figure 3.3-1: LAN Connections Models: MA431 / MA491 / MA551 / P435 / P495 / P555**



**Figure 3.3-2: LAN Connections Models: M431 / M491 / M551 / M651 / ME431 / ME501 / ME551 / ME651**

## 3.4 Software control via IR Remote

An IR Remote can be used to control software running on the Compute Module, such as a media player. IR Remote signals are received via the display's built-in remote control sensor or via an optional external KT-RC3 sensor.

**Note:** The display's built-in sensor will automatically be disabled when the external KT-RC3 sensor is connected.

This feature can be used in two ways:

- **As a CEC (Consumer Electronics Control) device**

Specific buttons on the NEC IR Remote will perform actions, such as Stop, Play, Next, Previous, etc., on CEC enabled software on the Compute Module. The display is responsible for receiving and decoding the IR Remote signals, and then forwarding them on to the Compute Module as standard CEC commands.

Only the NEC IR Remote can be used, and CEC support must be enabled on the display and in the Operating System on the Compute Module. See Figure 5.15.1-3: Supported CEC buttons on the NEC IR Remote in CEC MODE 1 on page **Error! Bookmark not defined.** and Figure 5.15.1-4: Supported CEC buttons on the NEC IR Remote in CEC MODE 2 on page **Error! Bookmark not defined.**

The buttons used for CEC commands are dual-function on the NEC IR Remote. When the display's OSD is active (being displayed) the buttons will perform display related functions. When the OSD is not active the buttons will perform CEC functions. Press the EXIT button on the IR Remote to exit and deactivate the OSD.

See section 6.16 on page 50 and section 6.17 on page 51 for more information.

- **As a generic IR receiver**

Demodulated raw IR signals received by the remote control sensor are passed to the Raspberry Pi Compute Module via GPIO 18. Packages such as *lirc* can be used to decode the raw IR signals.

IR Remotes other than the NEC IR Remote, such as a standard MCE/RC6 type, can be used if they use a 40 KHz carrier. See section 5.6 on page 36, section 5.7 on page 37, and section 6.5 on page 45 for more information.



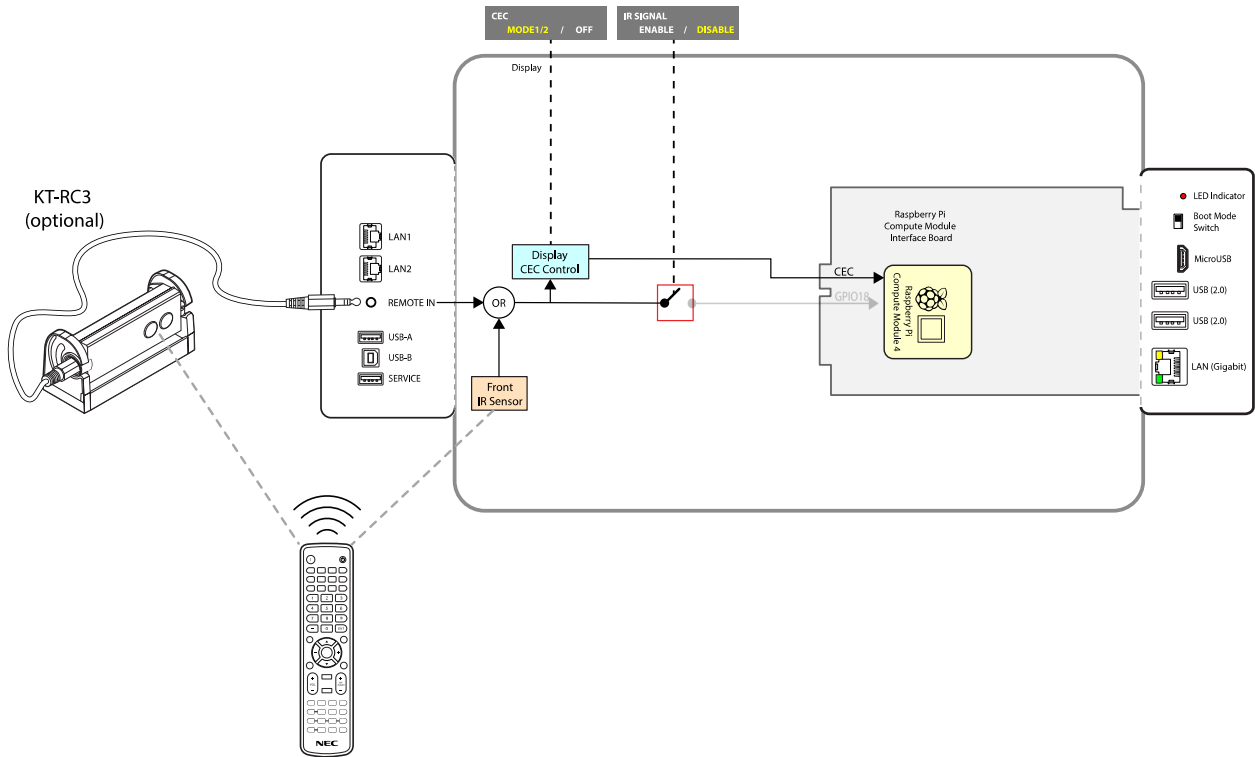


Figure 3.4-1: Using the NEC IR Remote with CEC

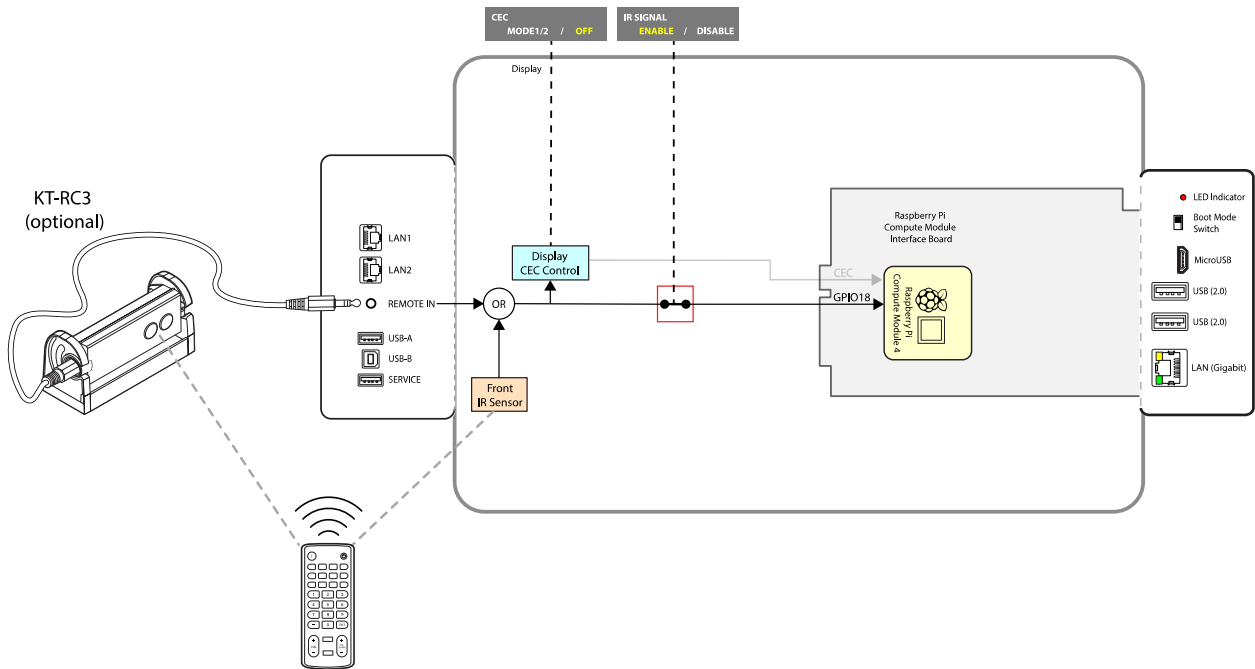


Figure 3.4-2: Using other IR Remotes with raw IR signals

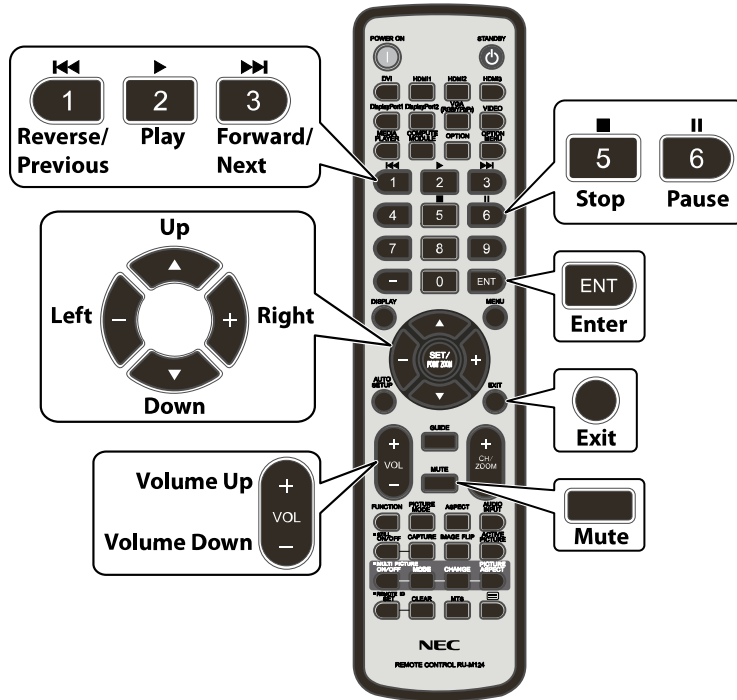


Figure 3.4-3: Supported CEC buttons on the NEC IR Remote in CEC MODE 1

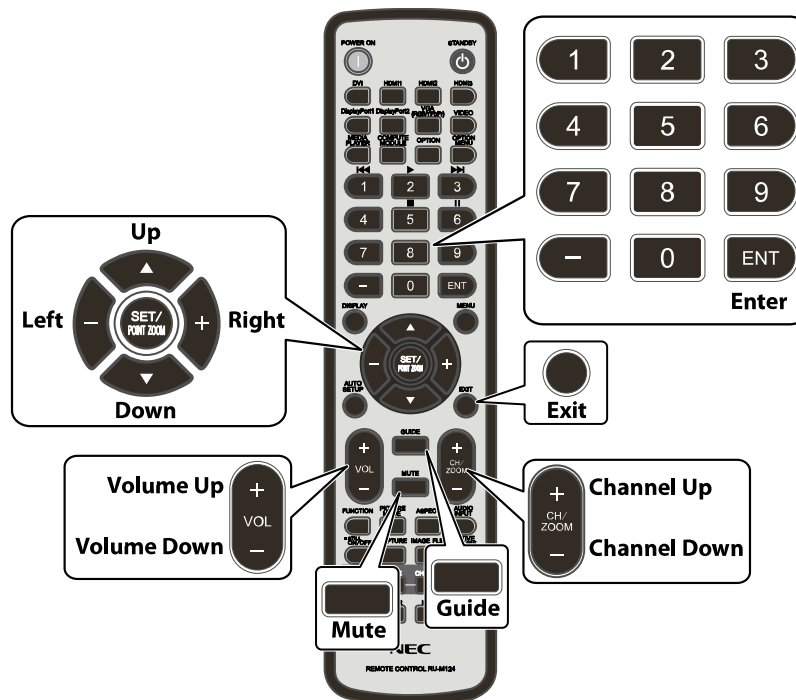


Figure 3.4-4: Supported CEC buttons on the NEC IR Remote in CEC MODE 2

The mapping of buttons on the NEC IR Remote to CEC commands has two different modes that can be selected via the OSD menu. Please see section 6.16 Input → Advanced → CEC → CEC on page 50.

**Note:** The Volume Up, Down and Mute buttons will control audio on the display rather than on any media player software running on the Compute Module. These buttons will only operate in CEC mode if a CEC compatible audio amp/receiver is used.

## 3.5 GPIO

The following GPIO are used for signaling between the display and Compute Module:

- GPIO 14 & 15 (UART0 TX & RX) – internal serial connection to the display for control. This can be enabled and disabled via the OSD setting (see 6.11 Slot → Compute Module → Advanced Setting → Monitor Control on page 48.)
- GPIO 18 – (input to Compute Module) demodulated IR receiver from the display. This can be enabled and disabled via the OSD setting (see 6.10 Slot → Compute Module → Advanced Setting → IR Signal on page 48.)
- GPIO 23 – (input to Compute Module) shutdown signal (goes low to signal the display is about to shut down power to the Compute Module). This can be enabled and disabled via the OSD setting (see 6.9 Slot → Compute Module → Advanced Setting → Shutdown Signal on page 47.)
- GPIO 24 – (output from the Compute Module) cooling fan control (set high to force the display's cooling fans on).

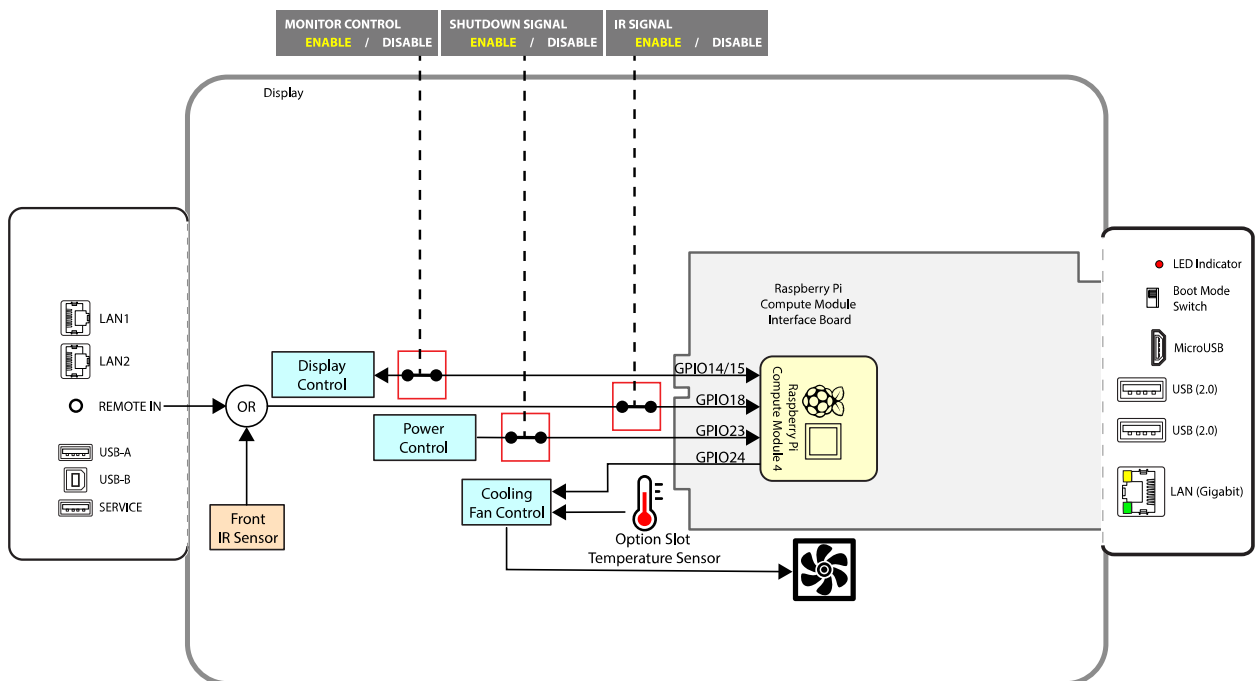


Figure 3.5-1: GPIO

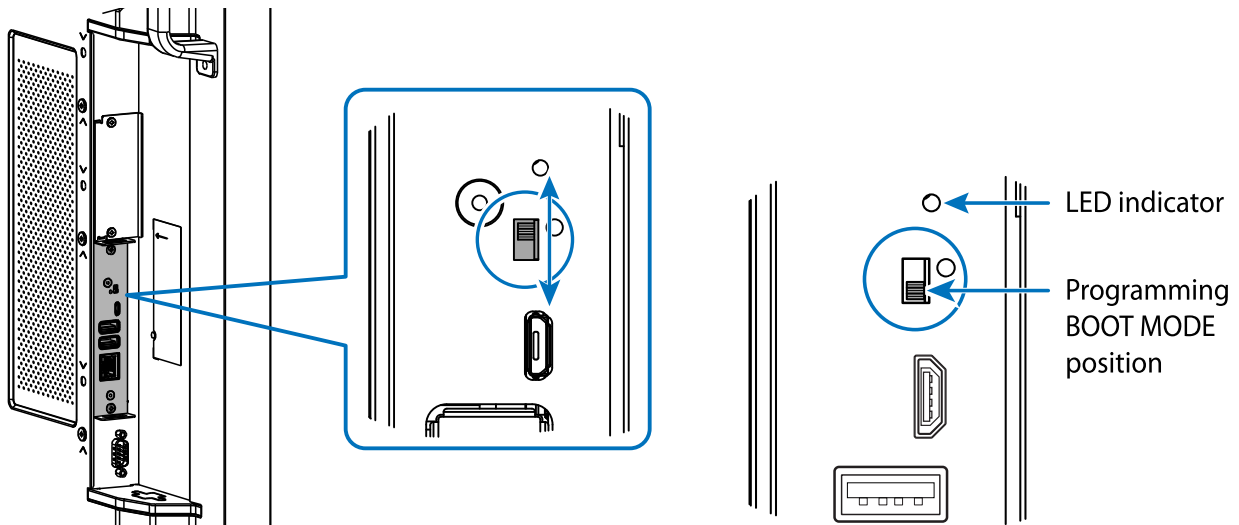
## 4 Preparing and running the tools to program the Compute Module

---

The following steps explain how to use a Windows PC as a host system to program the Compute Module. These steps will make the Compute Module appear as a mass storage device to the host PC so it can be programmed with an OS image. Similar steps can be used for macOS and Linux based systems also – please consult the Raspberry Pi documentation and website for the appropriate tools and steps.

### 4.1 Using a Windows PC as a host

1. Download and install either the official **Raspberry Pi Imager** application (recommended), **balenaEtcher** or **Win32DiskImager** tool from the following locations. This will be used to write the OS .img file to the Compute Module.  
<https://www.raspberrypi.org/software/>  
<https://etcher.io/>  
<https://sourceforge.net/projects/win32diskimager/>
2. Download and install the Compute Module boot installer. This will install Windows drivers for accessing the Compute Module as a mass storage device.  
[https://github.com/raspberrypi/usbboot/blob/master/win32/rpiboot\\_setup.exe](https://github.com/raspberrypi/usbboot/blob/master/win32/rpiboot_setup.exe)
3. Download the OS image to be programmed to the Compute Module. The download may need to be unzipped to reveal the .img file. Refer to the following section and the Raspberry Pi website for a list of supported OSs:  
<https://www.raspberrypi.org/downloads/>
4. A text editor that is compatible with UNIX type line endings, such as Notepad++, is highly recommended for making boot configuration file changes from Windows. Notepad++ is available from:  
<https://notepad-plus-plus.org/>
5. Set the Compute Module to boot mode for programming.  
**To set programming boot mode:**
  - a. Turn off the display's AC power switch.
  - b. Connect a USB cable from the USB Micro-B connector on the Interface Board to the host PC.
  - c. Move the BOOT MODE switch on the Compute Module Interface Board terminal panel to the *programming boot mode* position.



**Figure 4.1-1: BOOT MODE switch - programming mode**

- d. Turn on the display's AC power switch. Verify that the Compute Module is powered on. Navigate the OSD to **SLOT → COMPUTE MODULE → POWER CONTROL → POWER SUPPLY** and make sure **ON** is selected (displayed in yellow).
- e. Verify that the Compute Module is powered on by looking at the LED indicator next to the BOOT MODE switch. The LED should be red when power has been applied to the Interface Board.

See the Troubleshooting section for [“RPI Boot” is unable to detect the Compute Module](#) on page 59 if the LED indicator does not illuminate.

6. Run the RPiboot application installed by the Compute Module boot installer by selecting “rpiboot” from the Windows Start menu. A command window like the one shown below should appear and close within a few seconds.

```
rpiboot
Waiting for BCM2835/6/7/2711...
Loading embedded: bootcode4.bin
Sending bootcode.bin
Successful read 4 bytes
Waiting for BCM2835/6/7/2711...
Loading embedded: bootcode4.bin
Loading embedded: bootcode4.bin
Second stage boot server
Loading embedded: start4.elf
File read: start4.elf
```

The indicator LED next to the BOOT MODE switch will turn from red to orange color.

At this point Windows may show a message that a new unformatted drive has been connected – do not open or format the drive.

If the window stays open and displays only “Waiting for BCM2835/6/7/2711...” then the Compute Module has not been detected. See the Troubleshooting section for [“RPI Boot” is unable to detect the Compute Module](#) on page 59.

7. Use the **Raspberry Pi Imager**, **balenaEtcher**, or **Win32DiskImager** tool to write the OS image file
  - a. Run the tool.
  - b. Select the downloaded OS .img file as the source image to write to the Compute Module.
  - c. Select the Compute Module “drive” as the target.
  - d. Click “Flash” or “Write” to begin writing and verifying the image. This process should take approximately 5 to 15 minutes depending on the size of the OS image file.
  - e. When finished, the drive should contain the boot files for the OS.

**Note:** The imaging tool may “eject” the Compute Module’s drives when writing and verification is complete. If so, disconnect and reconned the USB cable to the PC and the drives should reappear.

8. Configuring boot options:

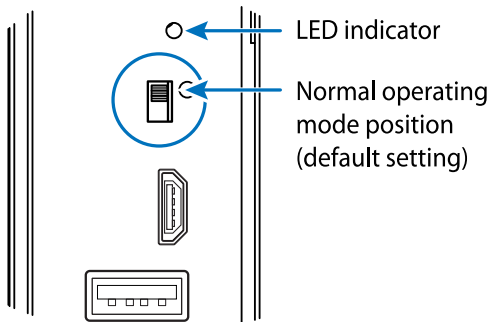
Some settings in the boot files `config.txt` and `cmdline.txt` can be modified at this stage. For example, settings to correctly enable the USB 2.0 controller on the Compute Module, set the video output level, and to enable the IR Remote module (`lirc`) can be made while still in Windows.

Navigate to the drive letter of the Compute Module to see the boot files.

Use a text editor that is compatible with UNIX type line endings such as Notepad++ (<https://notepad-plus-plus.org/>)

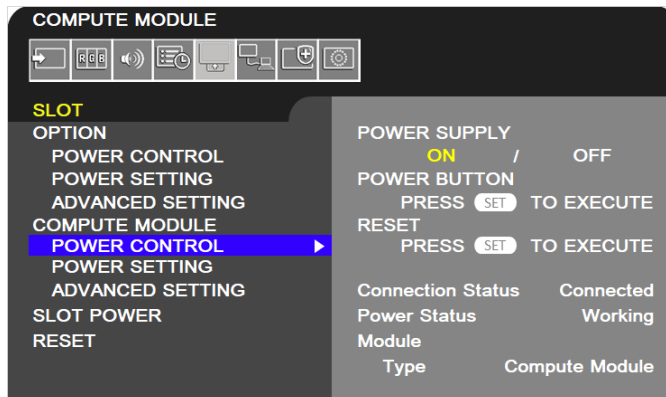
See section 5 on page 33 of this document for further information on specific configurations.

9. The Compute Module in the display can now be restarted in normal mode to boot the device.
  - a. Turn off the display's AC power switch.
  - b. Disconnect the USB cable from the USB Micro-B connector on the Interface Board.
  - c. Move the BOOT MODE switch on the Compute Module Interface Board terminal panel to the *normal operating mode* position.

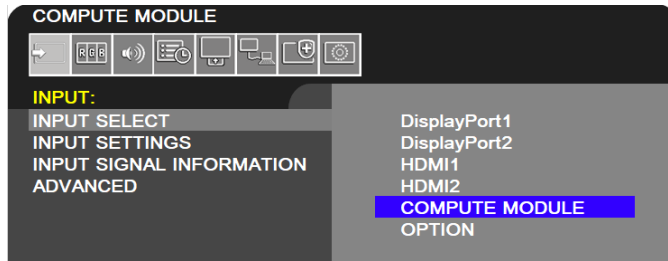


**Figure 4.1-2: BOOT MODE switch - normal mode**

- d. Turn on the display's AC power switch.
- e. Verify that the Compute Module is powered on. Navigate the OSD to **SLOT → COMPUTE MODULE → POWER CONTROL → POWER SUPPLY** and make sure **ON** is selected (displayed in yellow).



- f. Make sure the Compute Module input on the display is selected.



The boot-up sequence for the OS programmed to the Compute Module should be seen on the screen within a few seconds.

See the troubleshooting section on page 59 if no boot screen is seen.

10. Check for any system and firmware updates to the OS (Internet connection to the display or Compute Module required). See section 7.7 on page 55.



## 5 Miscellaneous Configuration Items

---

**Note:** Many of the options for the Raspberry Pi OS can be automatically configured using the Compute Module Configuration Tool for Raspberry Pi OS see “Compute Module Configuration Tool for Raspberry Pi ” on page 67.

---

### 5.1 Enabling the onboard USB 2.0 controller

The default settings on Raspberry Pi OS do not enable the USB 2.0 controller in host mode. This prevents any USB peripherals, including the onboard USB LAN controller (LAN9514), from operating.

To enable the enable the USB 2.0 controller in host mode add the following line to the config.txt file:

```
dtoverlay=dwc2,dr_mode=host
```

### 5.2 Enabling 4K@60Hz video output

The default settings on Raspberry Pi OS do not enable the 4K@60Hz video signal format, and the output format may be limited to 4K@30Hz.

To enable the 4K@60Hz format add the following line to the config.txt file:

```
hdmi_enable_4kp60=1
```

**Note:** For the best screen image use the display’s native 4K resolution of 3840x2160.

---

### 5.3 Configuring the correct HDMI video level encoding and decoding

The Compute Module can output video to displays that have video levels either in the range 0-255 (known as “full”) or in the range 16-235 (known as “limited” or “RGB limited”). Configuration settings for the OS determine which range will be output. The NEC display can accept either range sets and will display the video correctly, as long as it is correctly configured to match the video range from the Compute Module. However, it is recommended to use the “full” range since it will give the maximum number of displayable colors.

A mismatch between the output range from the Compute Module and the display will result in either:

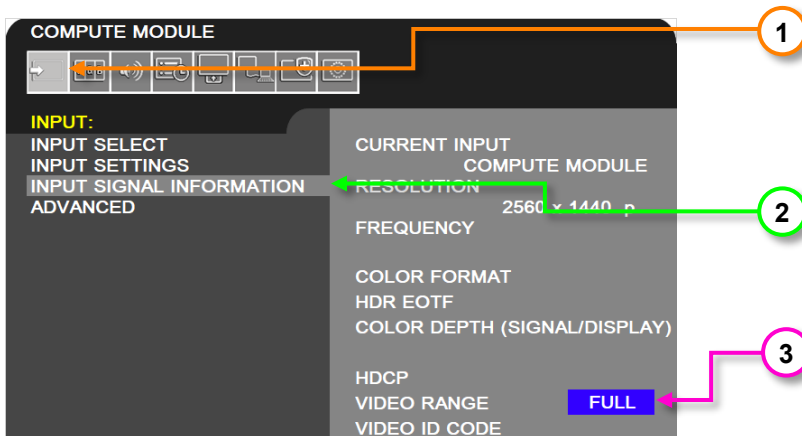
- Blacks appearing as gray and whites being too dark.
  - Cause: Compute Module outputs “limited” video range and the display is set to “FULL”.

*Or*

- Dark gray levels being crushed and whites being clipped.
  - Cause: Compute Module outputs “full” video range and the display is set to “LIMITED”.

The video range used by the display is configured as follows:

1. Navigate to the **INPUT** menu on the OSD.



2. Select **INPUT SIGNAL INFORMATION**.
3. The **VIDEO RANGE** setting determines how the display will handle the video from the Compute Module.
  - **FULL** - Use **FULL** if the Compute Module is configured to output “full” video in the range 0-255. **This is the recommended configuration since it provides the maximum number of displayable colors.** The display will not modify the range of the video signal levels.
  - **LIMITED** - Use **LIMITED** if the Compute Module is configured to output “limited” video in the range 16-235. The display will expand the video from the range 16-235 to 0-255 internally.

The video range used by the Compute Module depends on the Operating System. By default and depending on the OS, many distributions will automatically output a video signal to the display that uses video levels 16 to 235. A configuration file or menu setting is used to configure the video level.

For Raspberry Pi OS and many other OS distros, the current video settings can be confirmed by typing the following into a terminal window:

```
tvservice -s
```

The output should show something similar to the following:

```
"HDMI CEA (16) RGB lim 16:9, 1920x1080 @ 60.00 Hz, progressive"
```

If “lim” is shown, it means that limited 16 – 235 video is being output to the display.

To change this setting, a configuration file must be edited. If changing the setting from the Compute Module itself, use the built in text editor “Nano” to edit the config.txt file:

```
sudo nano /boot/config.txt
```

Scroll to the end of the file and enter the following line:

```
hdmi_pixel_encoding=2
```

Save the file by pressing CONTROL + o then ENTER

Exit Nano by pressing CONTROL + x

Restart the Compute Module by typing:

```
sudo reboot
```

When rebooted, confirm the video levels are correct by using the following command again:

```
tvservice -s
```

The output should now show “full”

```
“HDMI CEA (16) RGB full 16:9, 1920x1080 @ 60.00 Hz, progressive”
```

## 5.4 To disable overscan (if black bars are visible on the sides of the screen)

Either

- Run the Raspberry Pi Config utility from the terminal

```
sudo raspi-config
```

```
Select: 9 Advanced Options
```

```
Select: A1 Overscan
```

```
Select: No
```

Or

- Edit the config.txt file to disable overscan:

```
sudo nano /boot/config.txt
```

Look for the following section:

```
# uncomment this if your display has a black border of unused pixels visible
```

```
# and your display can output without overscan
```

```
#disable_overscan=1
```

Edit the last line to remove the #.

```
disable_overscan=1
```

Save the file and reboot.

## 5.5 To rotate the screen image to portrait orientation

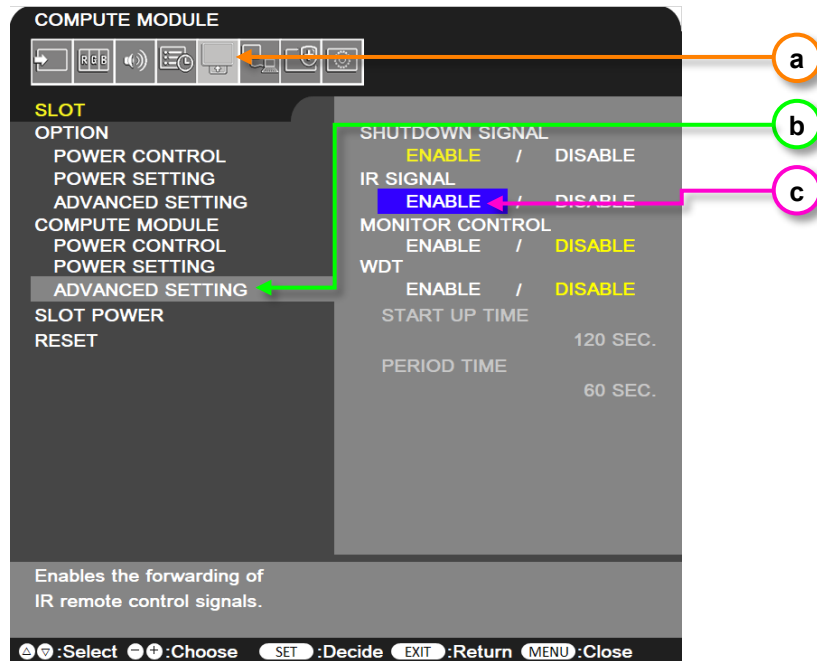
Use the Screen Configuration tool available on the OS Preferences menu. Select the screen and select Orientation. Change the setting to “Left”. This will match the display being physically rotated counterclockwise into portrait orientation.

**Important:** Using the display rotated clockwise is not approved due to the cooling design.

**Note:** The orientation of the display's OSD can be changed to match by changing the **SYSTEM** → **OSD** → **OSD ROTATION** setting.

## 5.6 To enable support for the IR Remote receiver using "lirc"

1. Make sure the display support is enabled.
  - a. On the NEC display select the **SLOT** menu on the OSD.
  - b. Select the **ADVANCED SETTINGS** option after **COMPUTE MODULE**.
  - c. Confirm that the **IR SIGNAL** is set to **ENABLE**.



2. Edit the config.txt file to enable support for lirc:

```
sudo nano /boot/config.txt
```

  - a. Look for the following section:

```
#uncomment this to enable the lirc-rpi module  
#dtoverlay=lirc-rpi
```
  - b. If present, edit the last line to remove the # otherwise add the following line to the end of the list:

```
dtoverlay=lirc-rpi
```
  - c. Save the file by pressing **CONTROL + o** then **ENTER**.
  - d. Exit Nano by pressing **CONTROL + x**.

### Notes:

- A reboot is usually necessary to enable support.
- If lirc support is not included with the OS, it can be installed using the following:

```
sudo apt install lirc
```

- Additional configuration may be required in the OS and application being used.

## 5.7 To test support for the IR Receiver by outputting raw data

Make sure lirc is installed using:

```
sudo apt install lirc
```

Output raw data from the IR receiver as follows:

```
sudo /etc/init.d/lirc stop
```

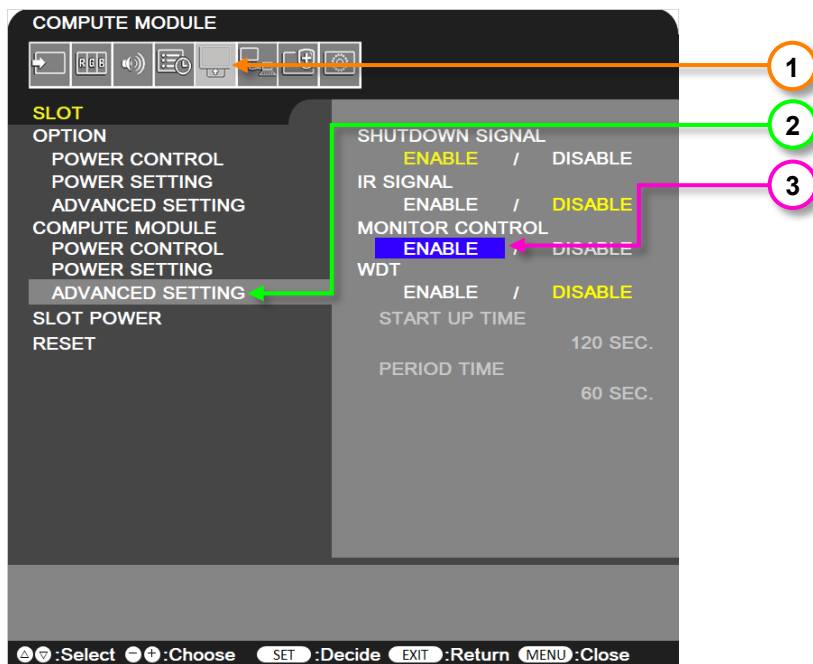
```
mode2 -d /dev/lirc0
```

Point an IR Remote at the IR sensor on the display and press some buttons. Output should be seen showing the raw pulses received.

## 5.8 To enable the serial port (UART) to the display and allowing application access

To enable the UART communications with the display so that applications on the Compute Module can communicate with the display:

1. On the NEC display navigate to the **SLOT** menu on the OSD.
2. Select the **ADVANCED SETTINGS** options after **COMPUTE MODULE**.
3. Confirm that the **MONITOR CONTROL** is set to **ENABLE**.



4. Edit the config.txt file to allow application access to the serial port, by editing to either add or change so there is a line with:

```
enable_uart=1
```

5. Edit the cmdline.txt file to allow app access to the serial port and prevent bootup information being sent to the display by removing any section with:

```
console=serial0,115200
```

**Important:** When the Raspberry Pi boots up, all the bootup information can be sent to the serial port for debugging purposes. Since this serial port is connected internally to the display, this may overwhelm the display and cause erratic behavior (such as the OSD flashing, random operations being performed, slow bootup of the Compute Module, etc.). If the internal connection is enabled (the **MONITOR CONTROL** setting on the **COMPUTE MODULE** → **ADVANCED SETTINGS** menu of the OSD is set to **ENABLE**) then the bootup information must be disabled.

## 5.9 Testing internal serial communications to the display using the Python based NEC PD SDK

1. Install the Python based NEC PD SDK files, and download the examples. See Python Based NEC PD SDK on page 65.
2. If necessary, install the Python serial module. This should normally be automatically installed.

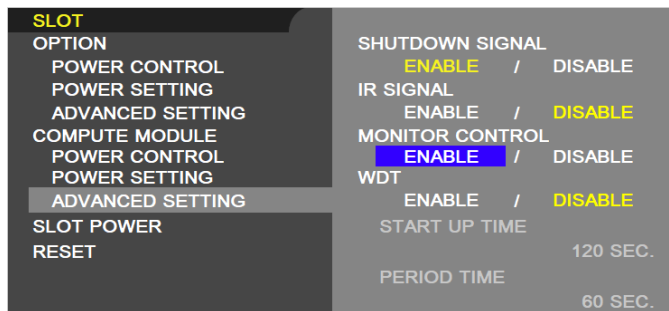
```
sudo apt install python-serial
```

3. Run the test file in the SDK.

```
python test_routines_example.py
```

4. The application should output information about the display, such as model name and serial number.

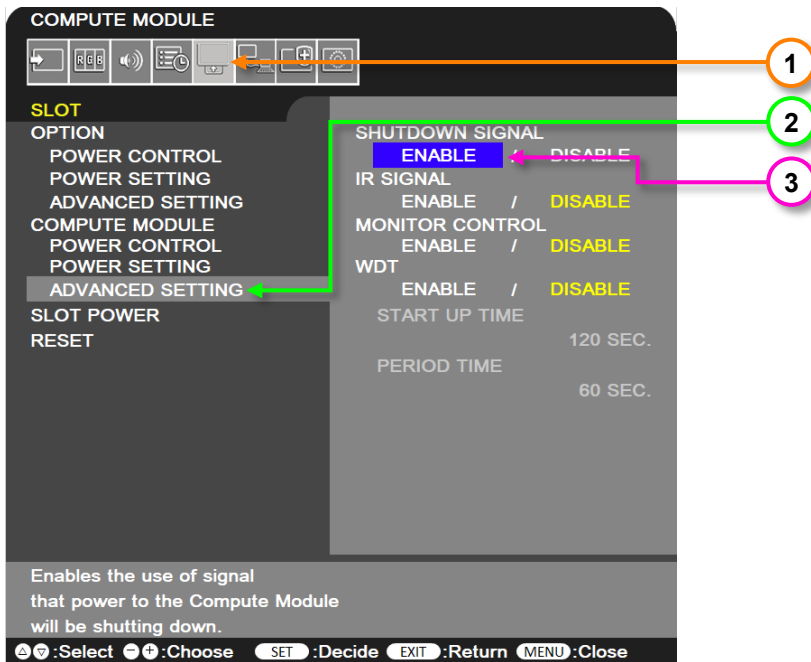
**Note:** Confirm the **MONITOR CONTROL** is set to **ENABLE** on the OSD.



## 5.10 Configuring the Compute Module to shutdown using shutdown signal from the display

To enable the Shutdown Signal from the display:

1. On the NEC display navigate to the **SLOT** menu on the OSD.
2. Select the **ADVANCED SETTINGS** options after **COMPUTE MODULE**.
3. Confirm that the **SHUTDOWN SIGNAL** is set to **ENABLE**.



Raspberry Pi OS includes an overlay for directly monitoring a GPIO used for signaling system shutdown. The configuration settings can be made directly to the “config.txt” file by adding a line such as the following example:

```
dtoverlay=gpio-shutdown,gpio_pin=23
```

See the following information for configuring the various boot overlay options:

<https://github.com/raspberrypi/firmware/blob/master/boot/overlays/README>

Alternatively, an example Python script `rpi_shutdown.py` is included with the Python based NEC PD SDK. The script shows how to monitor GPIO 23 for a high to low transition, and how to use this to gracefully shutdown the Operating System on the Compute Module before power to the module is removed by the display. Normally this script should be started when the Operating System starts. This can be accomplished by adding it to the `/etc/rc.local` file on the system. See the instructions provided in the sample file for more details.

## 5.11 Reading and setting the display’s internal Real Time Clock (RTC) from the OS

The Compute Module does not include a Real Time Clock, so the correct time must be configured at each startup. This is usually done via a network connection to an NTP time server; however, the Compute Module can read the display’s internal Real Time Clock as well.

The display’s internal Real Time Clock can be read and set from the Compute Module via the internal serial connection (UART). This can be useful in situations where the Compute Module is unable to get the current time from the network.

The Python based NEC PD SDK includes the following sample files:

- `set_system_to_display_clock.py` - Reads the display's internal clock via the internal serial connection and sets the system time accordingly. This file can be added to a startup script on the system, if necessary, to set the OS time from the display if no network connection is available.
- `set_display_to_system_clock.py` - Sets the display's internal clock based on the current system time on the Compute Module.

See the files included in the SDK for more details. See Python Based NEC PD SDK on page 65.

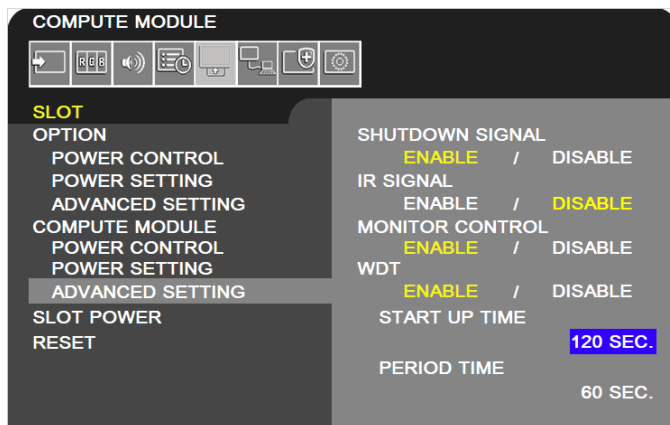
## 5.12 Using the display's Watchdog Timer (WDT)

The display features an internal Watchdog Timer that can be used to automatically restart the Compute Module if it stops responding; for example, if it hangs for some reason.

To use this feature, a background application is configured to periodically send reset commands to the display via the internal UART. The display will expect to receive these reset commands as an indication that the Compute Module is functioning normally. If, for some reason, the reset commands are not received as expected the display will send a reset signal to the Compute Module.

Use of the Watchdog Timer is optional and requires configuring the Operating System to start the background application at bootup. The Watchdog Timer is enabled and configured via the OSD or communications commands. The background application must send the reset command at least as often as the Period Time configured via the OSD. If three consecutive reset commands are not received, the display will send a reset signal to the Compute Module.

There are two time periods that can be configured for the Watchdog Timer:



- **Start Up Time** – This sets the time delay for when the display should start receiving WDT reset commands, via the internal UART, after power is applied to the Compute Module. This timer's value should be set high enough to include time for the operating system to fully load on the Compute Module, and for the periodic reset commands to begin sending to the display.
- **Period Time** – This sets the maximum amount of time within which the display must receive WDT reset commands from the Compute Module, via the internal UART. If three consecutive reset commands are missed, the display will restart the Compute Module.



This timer's value should be set high enough to ensure that any software running on the Compute Module will be able to send the periodic reset command to the display, even under heavy load conditions.

The Python SDK includes support for sending the Watchdog Timer reset commands to the display, as well as configuring the timer settings. See the example file `reset_display_wdt.py` included in the SDK for more details. See Python Based NEC PD SDK on page 65.

See sections 6.12 on page 48 through 6.14 on page 49 for details on configuring the Watchdog Timer settings via the OSD.

## 5.13 Controlling the Compute Module power

Power to the Compute Module can be set to turn on automatically when the display power is turned on, manually via the OSD, or manually via a command to the display. See section 6.2 on page 44 for details.

When the display power is turned off, the Compute Module power can remain on, or automatically shut down and turn off with the display. See section 6.5 on page 45 for details.

**Important:** To avoid possible file system corruption, it is highly recommended to use the Shutdown Signal to gracefully shutdown the system. See section 5.10 on page 38 for details.

## 5.14 Controlling the cooling fan automatically based on the CPU temperature

The display's cooling fan is automatically turned on based on a temperature sensor located near the Interface Board. However, if desired, it can also be directly controlled based on the actual Compute Module's internal CPU temperature.

Use the Raspberry Pi Configuration tool available from the system menu and select the "Performance" tab. Enable the fan setting, change the Fan GPIO to 24, and enter the desired temperature for the fan to start operating. Note that a reboot will be required for the settings to be enabled.

Alternately, the settings can be made directly to the "config.txt" file by adding a line such as the following example:

```
dtoverlay=gpio-fan,gpiopin=24,temp=70000
```

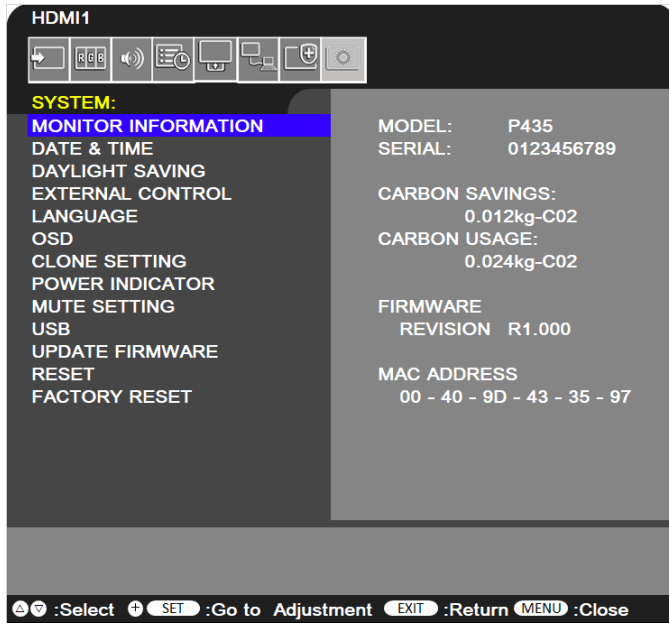
This sets the threshold temperature to 70°C and uses GPIO 24 to signal the fan.

See the following information for configuring the various boot overlay options:

<https://github.com/raspberrypi/firmware/blob/master/boot/overlays/README>

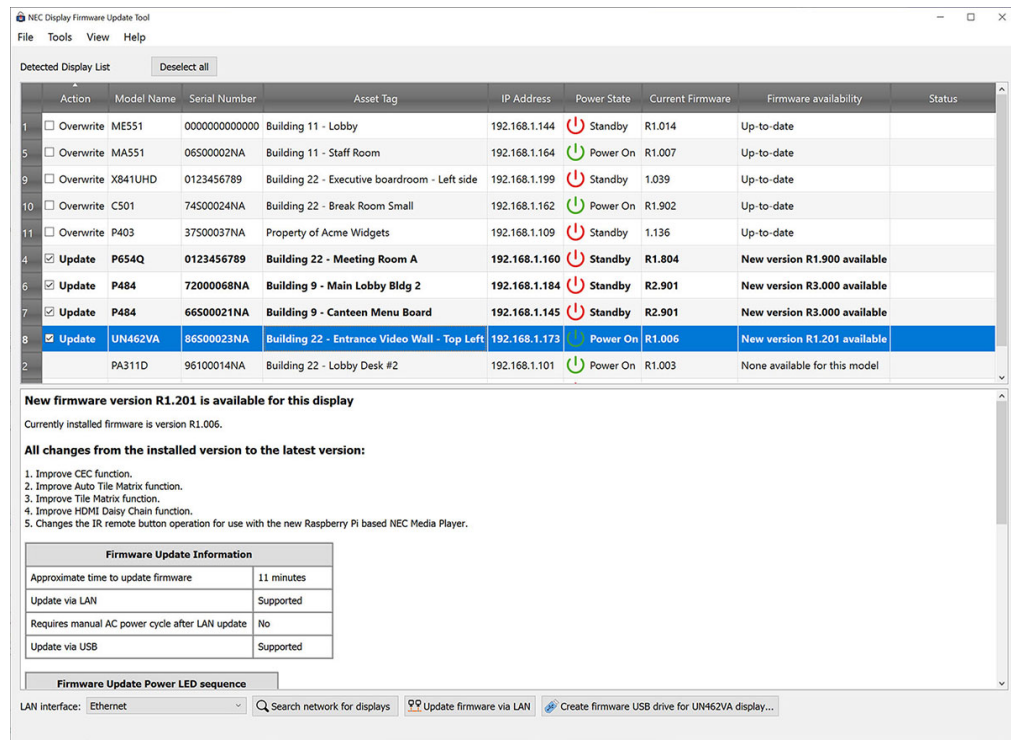
## 5.15 Checking and updating the display firmware version

The display firmware version is shown on the **SYSTEM → MONITOR INFORMATION** menu on the OSD.



### 5.15.1 Update using the NEC Display Firmware Update Tool for Windows

The NEC Display Firmware Update Tool is a utility to assist with updating the firmware in large-screen NEC LCD displays and some models of desktop NEC LCD displays.



### **Main features of the NEC Display Firmware Update Tool:**

- Automatically locates networked NEC display models and determines if newer firmware is available.
- Details of the changes between the installed firmware and the latest version are listed.
- Automatically downloads and verifies the latest firmware. Firmware can be downloaded for off-line use if needed.
- For models that can be updated via LAN, the update process is almost fully automated and the progress and estimated remaining time is shown.
- Up to 20 displays can be updated via LAN simultaneously. Other displays are queued until an update slot becomes available.
- For models that are updated via USB, the correct firmware is copied to a USB drive and instructions on how to update are displayed.

The latest version of the utility and instructions can be downloaded from the following location:

<https://www.sharpnecdisplays.us/support-and-services/necdisplayfirmwareupdatetool/254>

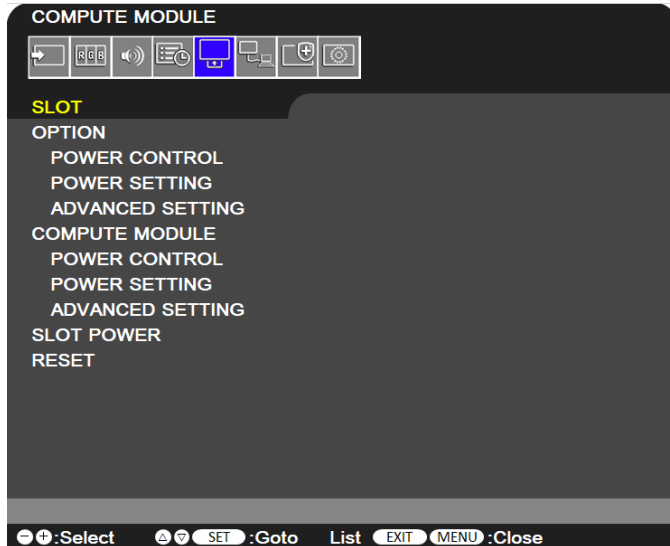
### **5.15.2 Update display firmware using a USB storage device**

---

The latest display firmware can be downloaded from the following location:

[https://www.sharp-nec-displays.com/dl/en/dp\\_soft/pd\\_fm\\_update/index.html](https://www.sharp-nec-displays.com/dl/en/dp_soft/pd_fm_update/index.html)

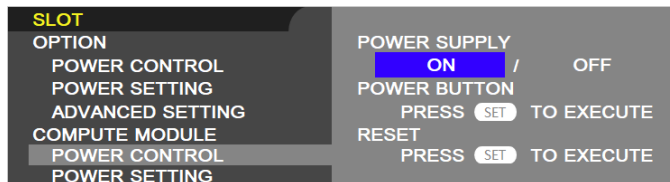
## 6 Related OSD Settings



### 6.1 Slot → Compute Module → Power Control → Power Supply

Available options: On / Off

Controls power to the Compute Module.

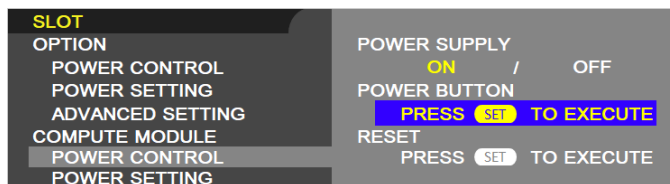


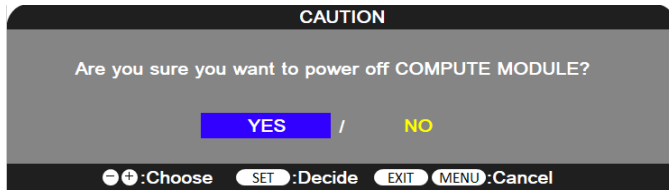
**Note:** The option that is yellow under **POWER SUPPLY** when opening the **POWER CONTROL** menu indicates the current power status. If **ON** is yellow, the power is on. If **OFF** is yellow, the power is off.

### 6.2 Slot → Compute Module → Power Control → Power Button

Available options: (SET command function only)

Performs a normal shutdown of the Compute Module. Press the **SET** button on the IR Remote with this function highlighted.

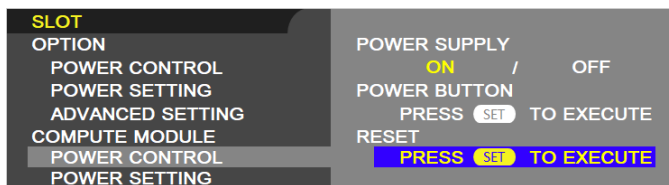




### 6.3 Slot → Compute Module → Power Control → Reset

Available options: (SET command function only)

Forces a shutdown and restart of the Compute Module when it does not respond to a shutdown using the **POWER BUTTON** function. Press the **SET** button on the IR Remote with this function highlighted.

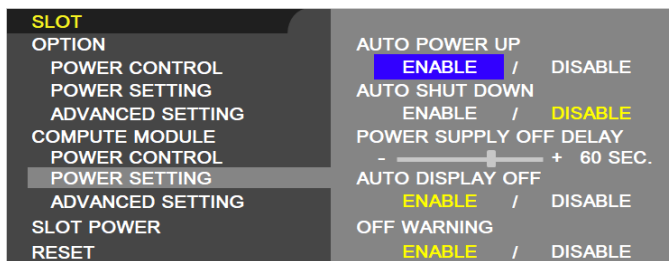


**Note:** This function may corrupt data files on the Compute Module and data files on any storage device connected to the Compute Module interface card.

### 6.4 Slot → Compute Module → Power Setting → Auto Power Up

Available options: Enable / Disable

The Compute Module will be turned on automatically when the display power is turned on.



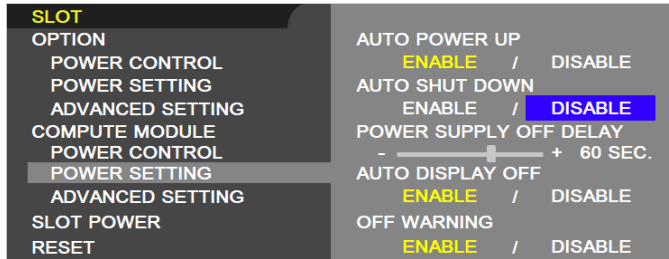
### 6.5 Slot → Compute Module → Power Setting → Auto Shutdown

Available options: Enable / Disable

Selects how power to the Compute Module is managed when the display switches to standby mode.

- **Enable** – When the display is turned off, power to the Compute Module will also be turned off. If **AUTO SHUTDOWN** is enabled, this will be performed first to allow the system to gracefully shut down before power is removed.

- **Disable** (Default) – Power to the Compute Module will remain on even when the display is in standby mode.

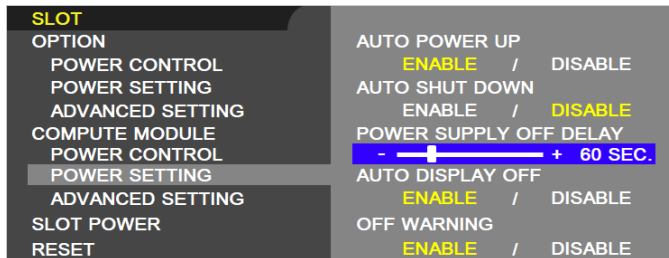


## 6.6 Slot → Compute Module → Power Setting → Power Supply Off Delay

Available options: adjustable between 30 – 600 seconds

This sets the time delay after the Shutdown Signal is set until the power to the Compute Module is turned off. Configure this to allow adequate time for any software to shutdown safely.

Note that a monitoring utility must be installed to watch the GPIO 23 shutdown signal.



**Note:** For use only when the **AUTO SHUTDOWN** is set to **ENABLE**.

## 6.7 Slot → Compute Module → Power Setting → Auto Display Off

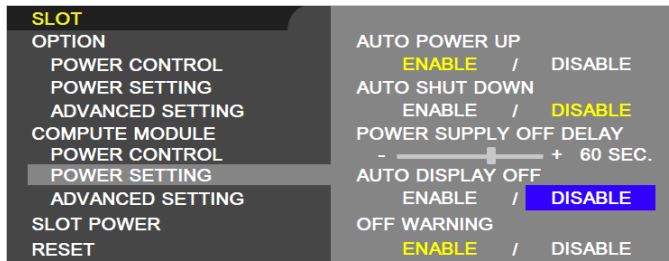
Available options: Enable / Disable

Allows the display to switch into standby power save mode when the Compute Module signals that it has transitioned into shutdown via the RUN\_PG signal. Note that this signal is only output from the Compute Module if the following settings are made to the Compute Module 4's EEPROM:

```
WAKE_ON_GPIO=0
```

```
POWER_OFF_ON_HALT=1
```

Please see the documentation from Raspberry Pi for instructions on how to change the Compute Module's EEPROM settings.

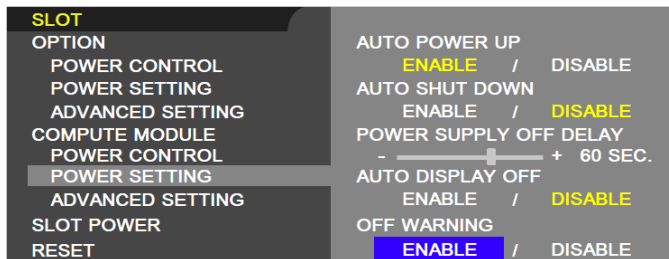


**Note:** If you select **ENABLE**, the display power will not automatically be turned on when the Compute Module turns on.

## 6.8 Slot → Compute Module → Power Setting → Off Warning

Available options: Enable / Disable

When enabled, a warning will be shown when shutting down the power to the Compute Module that the Compute Module should be turned off from within the OS.

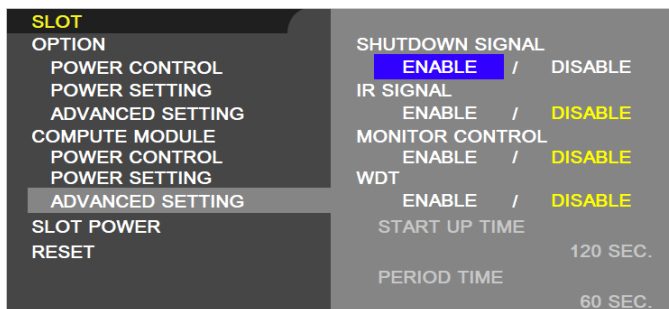


**Note:** This function is available when **POWER SUPPLY** is **OFF**.

## 6.9 Slot → Compute Module → Advanced Setting → Shutdown Signal

Available options: Enable / Disable

Enables or disables the use of GPIO 23 to signal that power to the compute module will be shutting down. Note that a monitoring utility must be installed to watch the GPIO 23 shutdown signal and shut down the operating system accordingly.



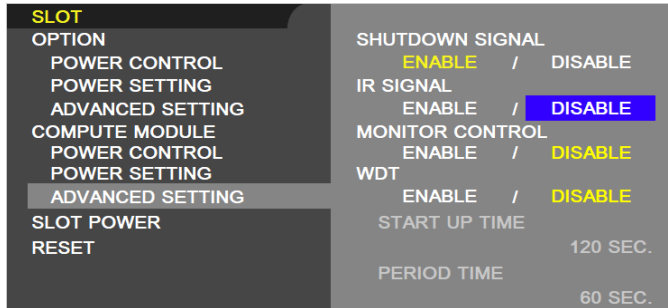
See Section 5.10 on page 38 for information on configuring the operating system support.

## 6.10 Slot → Compute Module → Advanced Setting → IR Signal

Available options: Enable / Disable

Enables or disables the forwarding of IR Remote signals, received from the display's internal remote control sensor and optional external IR sensor, to the Compute Module via GPIO 18.

See section 3.4 Software control via IR Remote on page 24 for more details on using this feature.

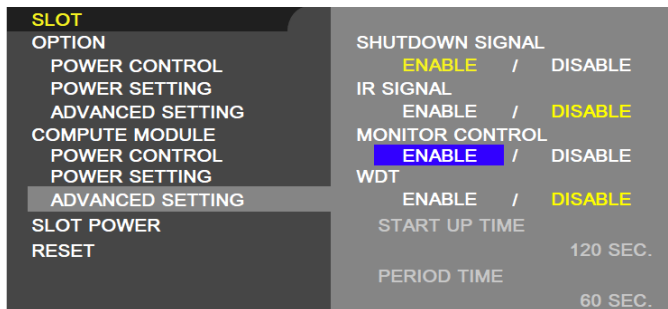


## 6.11 Slot → Compute Module → Advanced Setting → Monitor Control

Available options: Enable / Disable

Enables or disables the internal serial connection between the display and Compute Module. If set to **Enable**, communications is available via GPIO 14 & 15. This GPIO will normally appear as a TTY device.

Make sure the Operating System does not send boot console debug messages to the UART serial port; it may cause erratic behavior in the display (such as the OSD flashing, random operations being performed, slow bootup of the Compute Module, etc.).



## 6.12 Slot → Compute Module → Advanced Setting → WDT

Available options: Enable / Disable

Enables or Disables the display's built in Watchdog Timer function for the Compute Module.

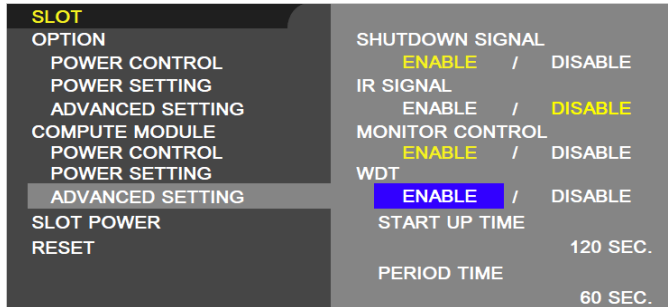
When set to **Enable**, the display will expect to receive a periodic reset command from the Compute Module via the internal UART. If the command is not received for three consecutive timeout periods, the display will restart the Compute Module.



This feature can be used to automatically reset the Compute Module if the CPU hangs for some reason. The following two settings control the timeout periods: Start Up Time, Period Time

The Python SDK includes sample functions to send the periodic reset command. However, it is up to the developer to configure the system to make sure this runs as the Compute Module starts and continues to periodically send the reset command. See Python Based NEC PD SDK on page 65.

See section 5.12 on page 40 for more details on using this feature.

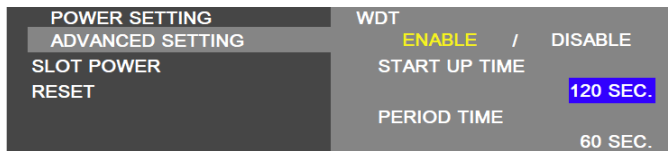


## 6.13 Slot → Compute Module → Advanced Setting → WDT → Start Up Time

For use only when the **WDT** is set to **ENABLE**.

This sets the time delay for when the display should start receiving WDT reset commands, via the internal UART, after power is applied to the Compute Module.

This timer's value should be set high enough to include time for the operating system to fully load, on the Compute Module, and for the periodic reset commands to begin sending to the display.

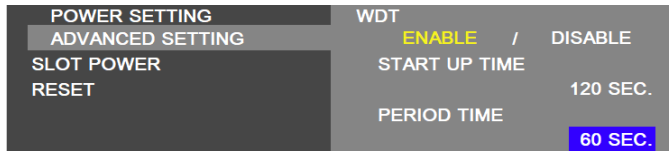


## 6.14 Slot → Compute Module → Advanced Setting → WDT → Period Time

For use only when the **WDT** is set to **ENABLE**.

This sets the maximum amount of time within which the display must receive WDT reset commands from the Compute Module, via the internal UART. If three consecutive reset commands are missed, the display will restart the Compute Module.

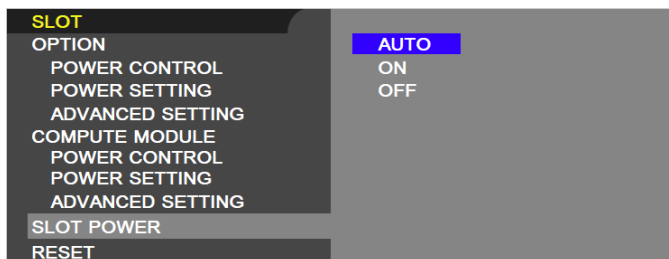
This timer's value should be set high enough to ensure that any software running on the Compute Module will be able to send the periodic reset command to the display, even under heavy load conditions.



## 6.15 Slot → Slot Power

Available options: Auto / On / Off

Allows the display to supply power to an Option Board slot during power save mode or standby mode. **AUTO** and **ON** continuously supply power to the Option Board slot during power save and standby modes. **AUTO** stops power to the Option Board slot when there is no installed device.



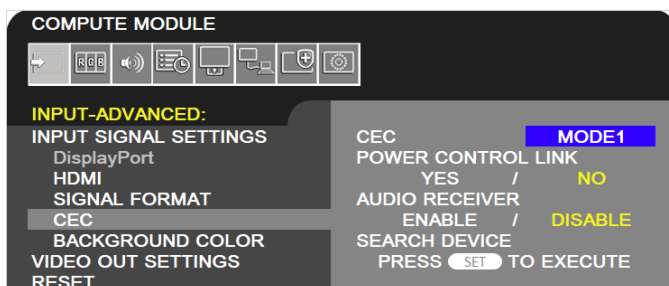
## 6.16 Input → Advanced → CEC → CEC

Available options: Off / Mode 1 / Mode 2

Enables and disables the CEC (Consumer Electronics Control) function between the display and the Compute Module, to control CEC enabled software via the display's IR Remote.

- [MODE 1] – the IR Remote CEC button functions are: 1 (⏪), 2 (▶), 3 (⏩), 5 (■), 6 (||), ENT, EXIT, ▲, ▼, +, –, MUTE, VOL+, VOL–.
- [MODE 2] – the IR Remote CEC button functions are: 0 to 9 and – in the keypad, ENT, EXIT, ▲, ▼, +, –, GUIDE, MUTE, SET/POINT ZOOM, VOL+, VOL–, CH/ZOOM+, CH/ZOOM–.

See section 3.4 Software control via IR Remote on page 24 for more details on using this feature.

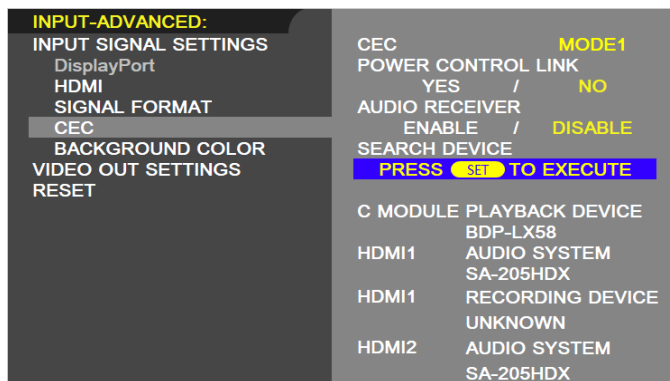


## 6.17 Input → Advanced → CEC → Search Device

Available options: (SET command function only)

Pressing **SET** on the IR Remote will start the process of the display searching for a CEC (Consumer Electronics Control) device on the connection to the Compute Module. If no device is found, confirm that CEC enabled software is currently running on the Compute Module and that any CEC device drivers are enabled.

Once the device has been detected, the display's IR Remote can be used to navigate and control CEC enabled software.



## 6.18 Control → USB → PC Source

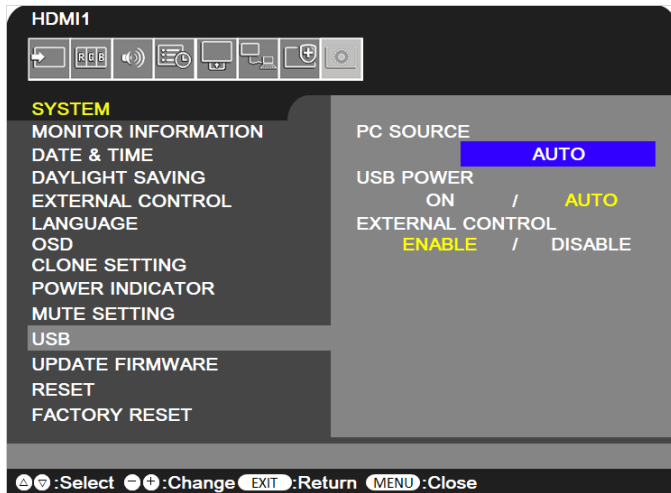
Available options: Auto / External PC / Option / Compute Module

Selects the routing of the “USB-A” port on the display.<sup>1</sup> It also routes the internal USB connection from the touch sensor on display models with an integrated touchscreen.

This setting can be switched between the Compute Module, Option (internal SDM based PC if installed), and an External PC connected to the USB connection. By selecting **AUTO**, it can be configured to switch automatically depending on the currently selected video input. This allows devices such as a mouse to be shared automatically between different sources as the video input is changed.

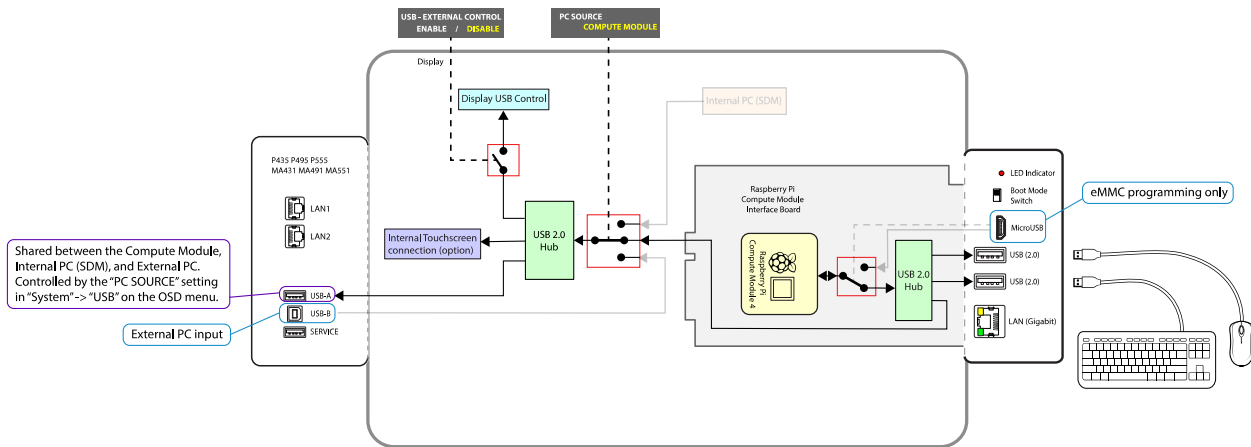
For display models integrated with an optional 3<sup>rd</sup> party touchscreen, the internal USB connection from the touch sensor will also follow the **PC SOURCE** setting so that as video inputs on the display are changed, the touchscreen connection will automatically switch to the correct source device.

<sup>1</sup> Current display models with a “USB-A” port on the terminal panel and PC SOURCE in the OSD menu: MA431, MA491, MA551, P435, P495, P555



**Note:** A USB Type-A port, and therefore the **USB → PC SOURCE** OSD menu setting, is only applicable on the following display models:

MA431	P435
MA491	P495
MA551	P555



**Figure 6.18-1: USB Routing with the Compute Module selected as the source**

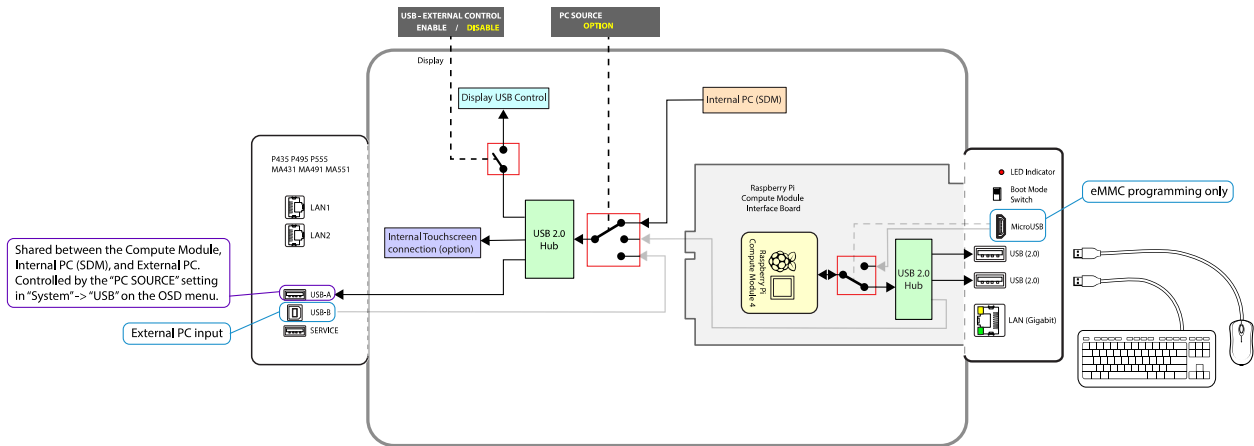


Figure 6.18-2: USB Routing with the Internal PC (SDM) selected as the source

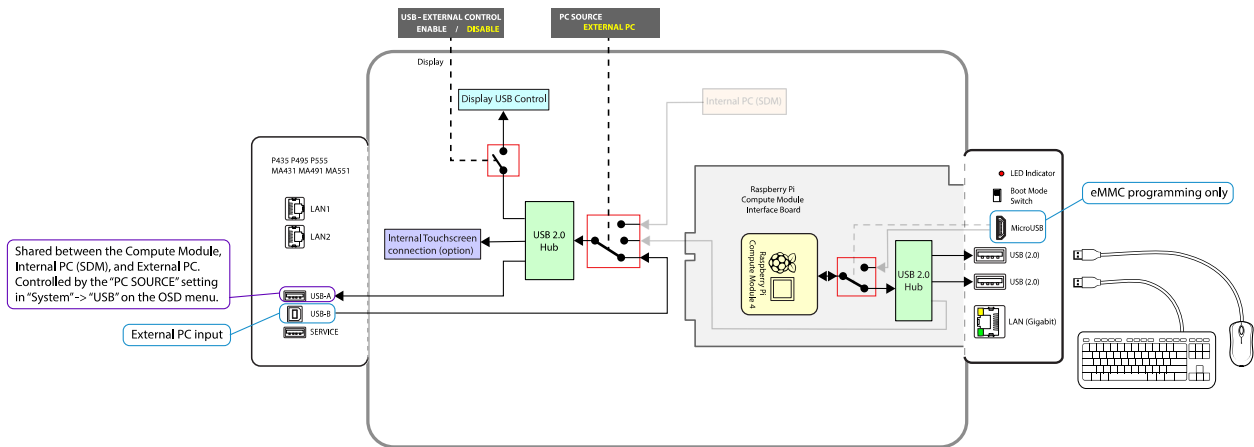


Figure 6.18-3: USB Routing with the External PC selected as the source

## 7 Useful Information and Commands

---

### 7.1 To find out the IP address of the Compute Module from a terminal window

Use the following command from a terminal window:

```
hostname -I
```

Or

```
ifconfig
```

### 7.2 To restart from a terminal window

Use the following command:

```
sudo reboot
```

### 7.3 To shutdown from a terminal window

Use the following command:

```
sudo shutdown -h now
```

### 7.4 To run the Raspberry Pi Config utility from a terminal window

Use the following command:

```
sudo raspi-config
```

**Note:** A GUI application **Raspberry Pi Configuration** is available from the desktop menu in the **Preferences** section.

### 7.5 To change the keyboard layout to US from a terminal window

Run the Raspberry Pi Configuration app from the desktop menu and select the “Localization” tab to access the keyboard settings.

Alternately use the terminal command:

```
sudo raspi-config
```

## 7.6 To add and remove packages from Raspberry Pi OS

To add (install) a package:

```
sudo apt install [packagename]
```

To remove (uninstall) a package:

```
sudo apt remove [packagename]
```

For more information visit:

<https://www.raspberrypi.org/documentation/linux/software/apt.md>

## 7.7 To update the Raspberry Pi

To update the current OS version:

```
sudo apt update
```

To update the current software packages installed and the kernel and firmware to the latest stable version:

```
sudo apt full-upgrade
```

**Note:** The Compute Module's 'firmware' is stored in a file on the filesystem and can thus be transferred if the flash memory is re-imaged to another Compute Module device.

## 7.8 To install the Python serial module

To install the Python serial module necessary for internal communications with the display.

From Raspberry Pi OS use:

```
sudo apt install python-serial
```

## 7.9 To mount a USB flash drive from the terminal

Example:

```
sudo mkdir /media/usbstick
```

```
sudo mount -t vfat -o uid=pi,gid=pi /dev/sda1 /media/usbstick
```

Replace "sda1" if drive devices is located in another location such as "sdb1".

## 7.10 To access an SMB (Windows share) drive from the Raspberry Pi OS desktop

Open a File Manger window. Enter a path into the location bar in the following format:

```
smb://sharename/foldername
```

Where “sharename” is the name of the host and “foldername” is the name of the folder being shared.

## 7.11 To list connected USB devices

From Raspberry Pi OS use:

```
lsusb
```

## 7.12 To show available disk space

From Raspberry Pi OS use:

```
df -h
```

## 7.13 To show internal information about the Raspberry Pi

From Raspberry Pi OS use the following to list all available commands:

```
vcgencmd commands
```

Examples:

Show the internal temperature:

```
vcgencmd measure_temp
```

Show configurations that have been set:

```
vcgencmd get_config int
```

Information about the Raspberry Pi hardware including the processor's serial number:

```
cat /proc/cpuinfo
```

## 7.14 To download a file to the current directory

From Raspberry Pi OS use:

```
wget http://www.website.com/example.txt
```



## 7.15 To find a file by name

From Raspberry Pi OS use:

```
find / -name example.txt
```

## 7.16 To edit a protected system configuration file from the Raspberry Pi OS desktop

From a terminal window open the Mousepad editor as sudo:

```
sudo mousepad
```

The file can now be opened, edited, and saved.

## 7.17 To prevent the screen saver from blanking the screen after several minutes

From the Raspberry Pi OS edit the following file as sudo: `/etc/lightdm/lightdm.conf`

Modify the following section to add the highlighted text:

```
[SeatDefaults]
```

```
xserver-command=X -s 0 -dpms
```

## 7.18 Monitoring the system processes, CPU usage, and memory

The `htop` system tool is an interactive system-monitor process-viewer and process-manager that gives visual information about processor, swap and memory status. Run from the command or terminal window:

```
htop
```

## 7.19 To enable and disable video output from the Compute Module to the display

The internal HDMI video signal from the Compute Module to the display can be disabled and enabled using the following commands. This can be useful for example to cause the display to enter standby mode or switch to another video input via the loss of video from the Compute Module, depending on the display settings.

To disable (turn off) the HDMI video signal output:

```
vcgencmd display_power 0
```

To enable (turn on) the HDMI video signal output:

```
vcgencmd display_power 1
```

## 7.20 To create an image of the Compute Module to backup or clone

Follow the steps to connect to a Windows host PC and place the Compute Module into BOOT MODE.

Run the Win32DiskImager software and instead of selecting Write, select Read to read the drive and store as an .img file.

**Note:** Because the entire expanded system will be copied, the resulting .img file will be the size of the flash capacity of the Compute Module

If imaging Raspberry Pi OS from a Linux machine, the image file can be reduced in size using a tool such as PiShrink. This will reduce the time it takes to upload the image to other Compute Modules, the image will be expanded to the full size when the Compute Module is first booted. Extreme care should be taken to ensure that the re-expanded image is correct before distributing.

PiShrink is available on GitHub:

<https://github.com/Drewsif/PiShrink>

## 7.21 Debug GPIO lines and overlay assignments

A set of diagnostic tools for listing, monitoring, and changing the GPIO lines on the Compute Module is available by installing the gpiod package:

```
sudo apt install gpiod
```

Six tools are available for performing various operations:

- `gpiodetect`
- `gpioinfo`
- `gpioget`
- `gpioset`
- `gpiofind`
- `gpiomon`

## 7.22 Assign different MAC address to the network interfaces

This section is pending.

## 8 Troubleshooting

---

### Problem: No video when switching to the Compute Module input

---

Solutions:

- Confirm that the indicator LED on the side of the Compute Module Interface Board is red or orange. If the indicator is not on, then there is no power to the Interface Board, or the Compute Module is not installed or not installed correctly.
  - On the **SLOT → COMPUTE MODULE → POWER CONTROL** menu of the OSD, confirm that **POWER SUPPLY** is set to **ON**.
  - Check that the Compute Module 4 is correctly seated and snapped into the socket on the Interface Board.
- Check that the BOOT MODE switch on the side of the Interface Board is in the correct position. In normal operating mode, the switch is positioned away from the USB Micro-B connector. Note that the position of the switch is only recognized when power is initially applied to the Compute Module. Changing the position of the switch after power is applied to the Compute Module does not affect its operating/boot mode.

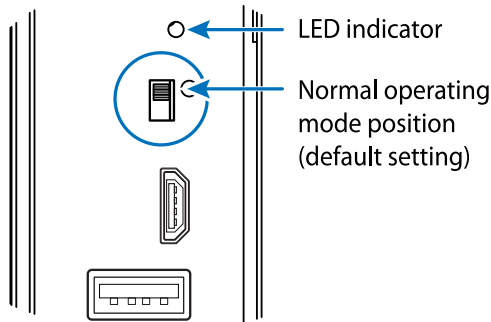


Figure 8-1: BOOT MODE switch - normal mode

- Confirm that a valid OS image has been written to the Compute Module.
- Confirm that the Compute Module input on the display is currently selected.
- Confirm that a valid video resolution has been configured on the Compute Module. Note that 4096x2016 @ 60Hz is currently not supported. Use the native resolution of 3840x2160 @ 60Hz or 30Hz instead.

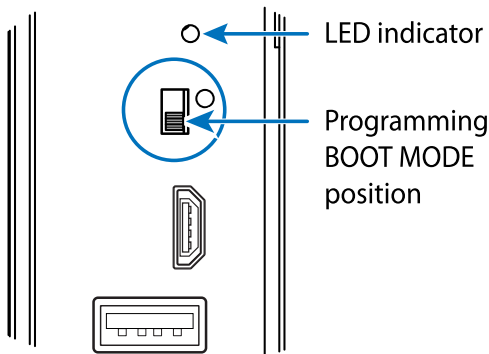
### Problem: “RPI Boot” is unable to detect the Compute Module

---

If the Rpiboot window stays open and displays only “Waiting for BCM2835/6/7/2711...” then the Compute Module has not been detected.

Solutions:

- Confirm that the indicator LED on the side of the Compute Module Interface Board is red. If the indicator is not on, then there is no power to the Interface Board, or the Compute Module is not installed or not installed correctly.
  - On the **SLOT → COMPUTE MODULE → POWER CONTROL** menu of the OSD, confirm that **POWER SUPPLY** is set to **ON**.
  - Check that the Compute Module 4 is correctly seated and snapped into the socket on the Interface Board.
- Check that the BOOT MODE switch on the side of the Interface Board is in the correct position. In Programming mode, the switch is positioned towards the USB Micro-B connector. Note that the position of the switch is only recognized when power is initially applied to the Compute Module. Changing the position of the switch after power is applied to the Compute Module does not affect its operating/boot mode.



**Figure 8-2: BOOT MODE switch - programming mode**

- Check that a USB cable is connected from the USB Micro-B connector on the Interface Board to the host PC.
- Check that the USB cable being used is a fully populated “data transfer” cable, and not a “charging” cable.
- Do not use a USB extender cable or hub between the host PC and the display. The host PC must be directly connected to the display via a single USB cable.
- “RPi Boot” may have already been run while the Compute Module has been powered up in boot mode. Running it again will not find the Compute Module.
- Disconnect and reconnect the USB cable to the host PC.

---

**Problem: Connected USB peripherals do not work**

**Solutions:**

- Confirm that the USB programming cable to the USB Micro-B connector on the Interface Board has been disconnected.
- Confirm that the onboard USB 2.0 controller has been enabled in host mode. See section 5.1 Enabling the onboard USB 2.0 controller on page 33.

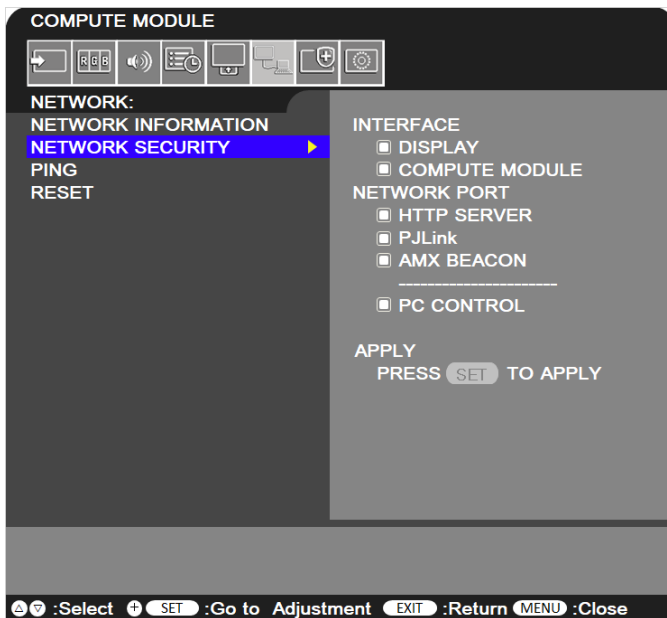
---

**Problem: 10/100 Mbps on the display's LAN1 and LAN2 does not work**

---

Solutions:

- Confirm that the onboard USB 2.0 controller has been enabled in host mode. See section 5.1 Enabling the onboard USB 2.0 controller on page 33.
- Do not use this LAN interface at the same time as the Gigabit LAN connector on the Interface Board unless specific measures have been taken to prevent the OS from assigning both interfaces with the same MAC and IP addresses.
- Confirm that the OSD setting **NETWORK → NETWORK SECURITY → INTERFACE → COMPUTE MODULE** has been enabled.



---

**Problem: Compute Module boots with a bootloader screen but then hangs.**

---

Solution:

- Confirm that a valid OS image compatible with the Compute Module 4 has been written to the Compute Module.
- Try a different application to program the Compute Module. Verify the image after writing.

---

**Problem: Screen appears gray and blacks aren't true black.**

---

Solution:

- Most OS distros on the Compute Module are set to output the video range of 16 to 235 (otherwise known as "RGB limited") by default.

- Make sure the display settings for handling the video levels from the Compute Module match those on the OSD settings of the display. See section 5.3 Configuring the correct HDMI video level encoding and decoding on page 33 for more details.

---

**Problem: Black borders appear around the screen image**

---

Solution:

- Overscan needs to be disabled. Follow the previous instructions for checking the “`disable_overscan=1`” configuration setting in the `config.txt` file.

---

**Problem: 3<sup>rd</sup> party IR Remote is not functioning**

---

Solutions:

- Confirm the OSD **COMPUTE MODULE** setting for **IR SIGNAL** is set to **ENABLE**
- Confirm `lirc` is enabled in the `config.txt` file.
- Confirm the software being used is correctly configured for the 3<sup>rd</sup> party IR Remote.
- Use `lirc` debugging mode to view the raw IR sensor output.
- CEC support may be enabled. Normally CEC support must be disabled in order for `lirc` to work correctly.

---

**Problem: Serial communications with the display not functioning**

---

Solutions:

- Confirm the OSD **SLOT** → **COMPUTE MODULE** → **ADVANCED SETTING** → **MONITOR CONTROL** setting is set to **ENABLE**
- Confirm the `config.txt` file contains the following line:  

```
enable_uart=1
```
- Confirm the `cmdline.txt` file doesn't contain any sections with “`console=serial0.....`”.
- Confirm no other software is currently accessing the serial port.

---

**Problem: The Compute Module continually restarts**

---

Solution:

- Confirm the OSD **COMPUTE MODULE** setting for **WDT** (Watchdog Timer) is set to **DISABLE** or, if set to **ENABLE**, that any watchdog timer function installed is correctly configured to reset the timer in the display within the **TIME PERIOD** set on the OSD.

**Problem: Programming the Compute Module fails after a couple of minutes.**

---

Solution:

- Confirm the OSD **COMPUTE MODULE** setting for **WDT** (Watchdog Timer) is set to **DISABLE**.

## 9 Video CODECs

---

The hardware-based video CODECs in the Compute Module 4 are enabled and licensed by default. Please consult the official Raspberry Pi documentation for details.



## 10 Python Based NEC PD SDK

---

Sharp NEC Display Solutions has created a Python based SDK (Software Development Kit) to support many of the display functions easily via the Operating System running on the Compute Module.

Examples of supported functions are:

- Reading status information from the display, such as:
  - Model name
  - Serial number
  - Temperature and fan statuses
  - Diagnostic information
  - Operating hours
  - LAN IP and MAC addresses

This makes it very easy to integrate support for remote diagnostics and asset management into any software running on the Compute Module.

- Reading and writing almost any configuration setting and control within the display, such as: power, video settings, schedules, Picture-in-Picture, Tile Matrix, etc.

This can be used to easily configure or reset settings via remote using a script.

- Accessing the display's internal Real Time Clock. This can be used to set the Operating System's clock when it is unable to get the current time from the network.
- Monitoring the Shutdown signal from the display on GPIO 23 to gracefully shutdown any running software and the Operating System, before the display turns off power to the Compute Module.
- Periodically send reset commands to the display's built in Watchdog Timer, to signal that the Operating System is currently running correctly. The lack of a reset signal would indicate that the CPU on the Compute Module is hung, and the display would automatically restart the Compute Module.

Communications with the display is via the UART on the Compute Module and an internal serial connection to the display. It is also possible to communicate with the display over LAN via its IP address. The SDK supports communicating via both serial and LAN.

The SDK provides APIs (Application Programming Interfaces) for most of the commands supported by the display, so it is not necessary to start understanding the communications protocol from scratch. However, it is highly recommended to refer to the "External Control" document for the model being used to understand the parameters and function of each API.

The SDK can be installed from Raspberry Pi OS using either of the following commands:

```
sudo easy_install nec_pd_sdk
```

or

```
sudo -H pip install nec_pd_sdk
```

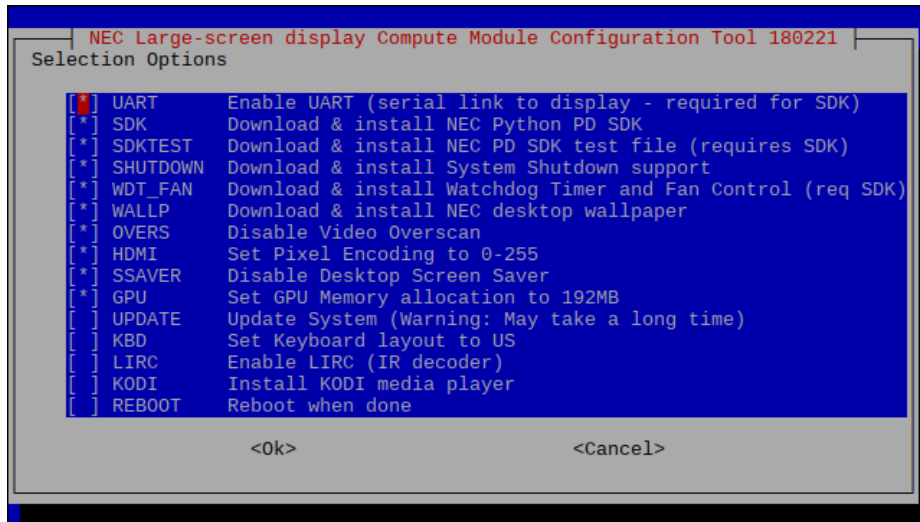
It can also be downloaded or cloned from the repository on GitHub:

<https://github.com/NECDisplaySolutions/necpdsdk>

Example files are included in the repository. These examples are not included in the package installer.

# 11 Compute Module Configuration Tool for Raspberry Pi OS

Sharp NEC Display Solutions has created a menu-based tool for automatically downloading and configuring various components and settings for Raspberry Pi OS on the Raspberry Pi Compute Module. This makes it easy to configure a new OS install.



Options include:

- Configuring the UART to allow communications with the host display.
- Downloading and installing the NEC Python PD SDK which provides APIs for communicating with the host display. It will also install the Python Serial module if necessary.
- Downloading and installing an example Python file showing how to use the SDK APIs to communicate with the host display.
- Downloading and installing a Python file that provides System Shutdown support by monitoring GPIO 23 - set low by the display to signal a shutdown.
- Downloading and installing a Python file that provides hardware-based Watchdog Timer support.
- Downloading and installing NEC branded desktop wallpaper.
- Disabling Video Overscan.
- Setting the HDMI Pixel (video level range) Encoding to 0-255.
- Disabling the Desktop Screen Saver to prevent screen blanking.
- Setting the GPU Memory allocation to 192MB.
- Updating the operating system and firmware.
- Setting the Keyboard layout to "US".
- Enabling the LIRC (IR decoder) support.
- Installing the KODI media player with remote control using the display's IR Remote.
- ~~Installing the Yodeck bootloader.~~ This item is not compatible with the Compute Module 4.

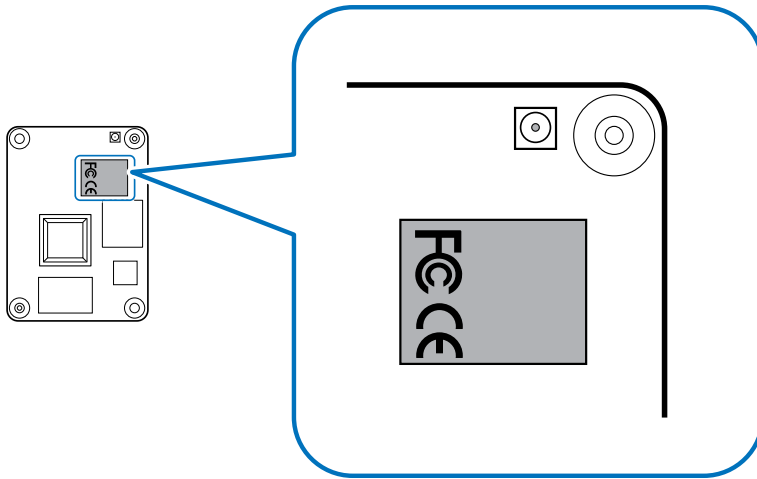
This can be downloaded from:

[https://github.com/NECDisplaySolutions/nec\\_rpi\\_config\\_tool](https://github.com/NECDisplaySolutions/nec_rpi_config_tool)

## 12 Wireless connectivity installation and configuration

---

This section is relevant only when using the DS1-IF21CE interface board together with a version of the Compute Module 4 that has built-in wireless functionality. A wireless enabled Compute Module can easily be identified by the silver-colored metal enclosure with engraved FCC and CE logos on the module.



**Figure 12-1** Compute Module 4 with wireless functionality

The model of Interface Board is printed on the underside of the board.

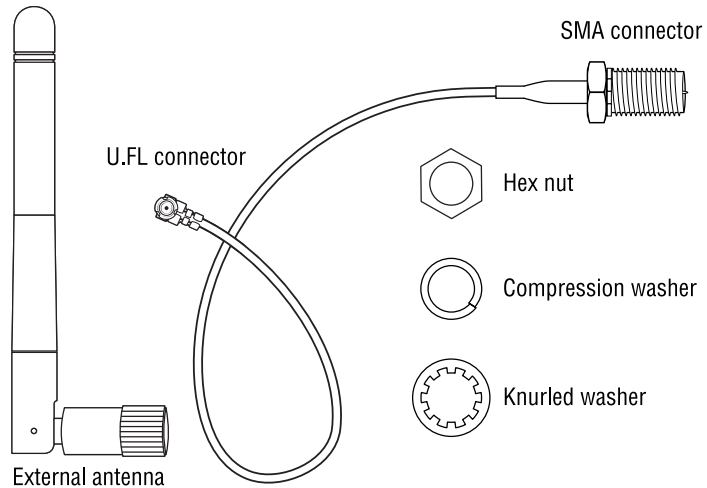
**Note:** The DS1-IF20CE interface board is not certified for wireless operation and the Wi-Fi and Bluetooth functions are disabled at the hardware level.

### 12.1 Important cautions

- The Compute Module, DS1-IF21CE interface board, and display are certified for use only with the antenna provided in the kit. Using a different type of antenna will invalidate these certifications and may be a violation of laws designed to prevent radio interference.
- Failure to correctly route the antenna coax and connectors as shown in this document may cause unwanted interference and degraded performance. Please carefully follow the instructions provided when installing the antenna components.
- The Compute Module, DS1-IF21CE interface board, and display are certified for use only in certain countries and geographic regions. Use outside these areas may be in violation of local laws.
- The U.FL type connectors are designed for a limited number of connections and disconnections. Avoid repeated disconnections as much as possible.
- Do not make sharp bends or kinks to the antenna coax cable.
- Do not operate the wireless functions without the coax cable and external antenna attached to the Compute Module.

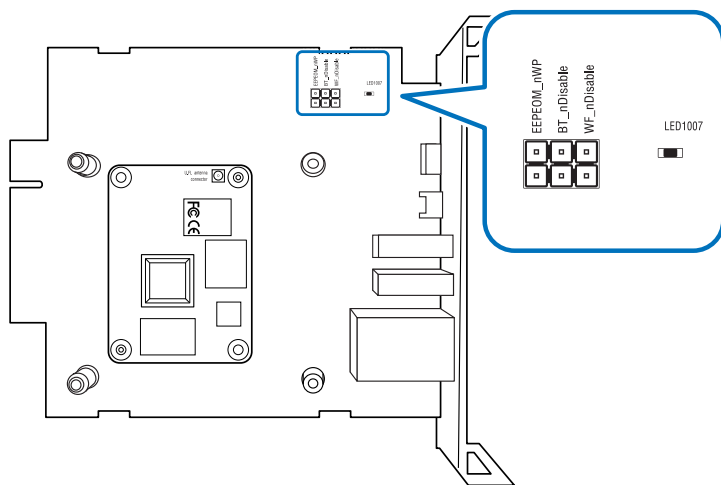
## 12.2 Parts identification

- External antenna with SMA female connector.
- Coax cable with SMA male connector and U.FL connector.
- Hex nut, knurled washer, and compression washer.



**Figure 12.2-1 Antenna parts**

- U.FL antenna connector on the Compute Module
- WF\_nDisable wireless function header pins
- EEPEOM\_nWP header pins
- LED1007 Wi-Fi enable LED status indicator



**Figure 12.2-2 Compute Module and Interface Board**

## 12.3 Installing the antenna connector to the Compute Module and routing the coax cable

**Note:** Depending on the configuration purchased, these steps will typically already have been performed by NEC and the antenna connectors will have been pre-installed. These steps are being provided for reference in case the Compute Module or Interface Board is swapped.

**Important:** The antenna coax cable must be installed after the Compute Module is installed onto the Interface Board, but before the heatsink is installed.

1. Unscrew the antenna from the SMA type external antenna connector on the coax cable and set aside.

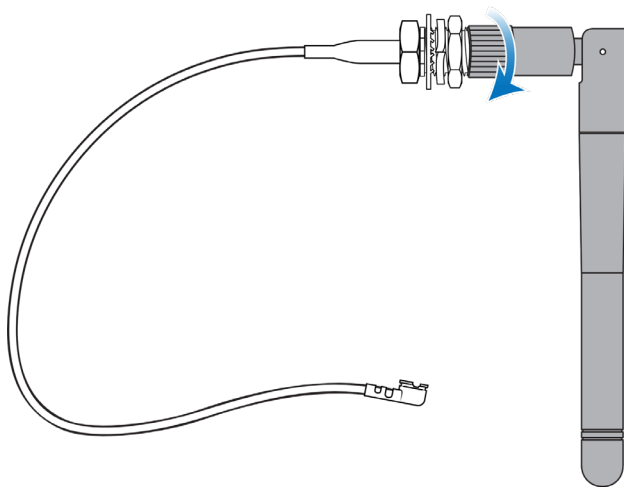


Figure 12.3-1 Remove external antenna

2. Unscrew the hex nut from the external antenna connector and remove the two washers and set aside.

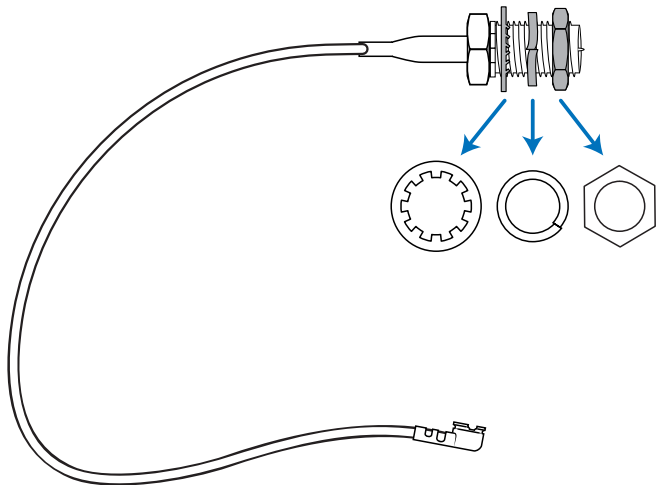
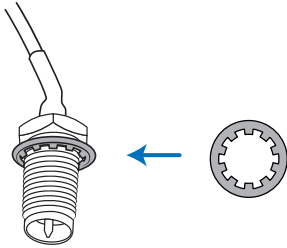


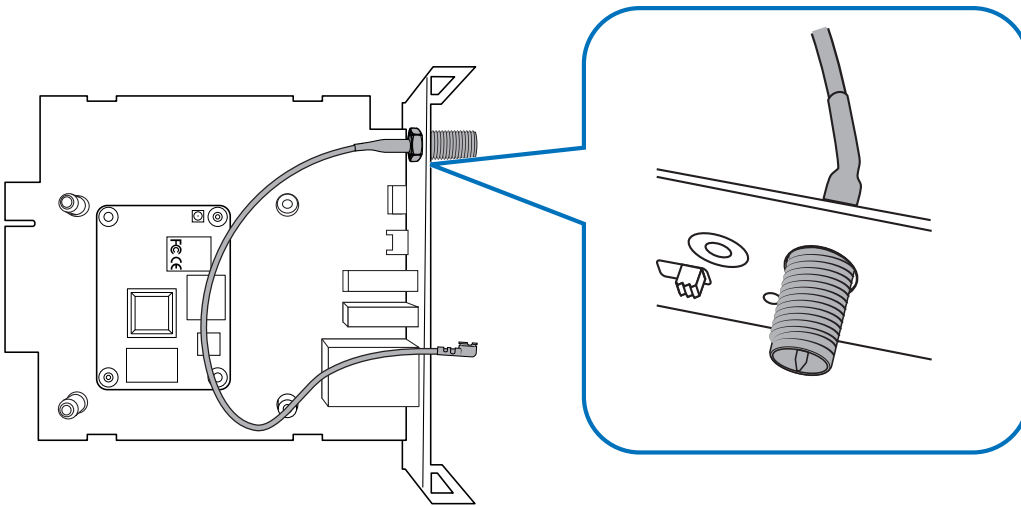
Figure 12.3-2 Remove hex nut and washers

3. Visually inspect the antenna coax cable and connectors for damage such as kinks or bent connectors. Do not attempt to install the cable and connectors if there is any damage.
4. Put the knurled washer on the SMA type external antenna connector.



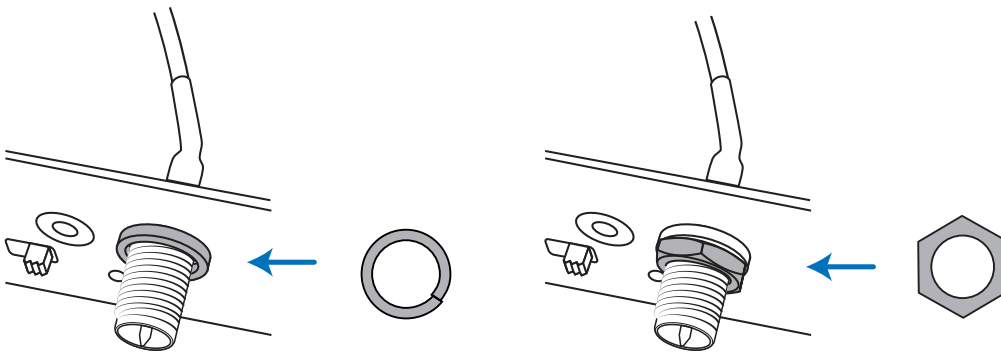
**Figure 12.3-3 Place knurled washer on external antenna connector**

5. Push the antenna connector through the mounting hole on the bracket of the interface board from the board side.



**Figure 12.3-4 Insert antenna connector through Interface Board bracket**

6. Put the compression washer and hex nut on the antenna connector from the external side of the bracket. Hand-tighten the hex nut and tighten further using an 8mm hex wrench or similar tool. Do not overtighten.



**Figure 12.3-5 Place compression washer and hex nut**



7. Route the antenna coax cable as shown in the illustration. It should be routed around the mounting post as shown.

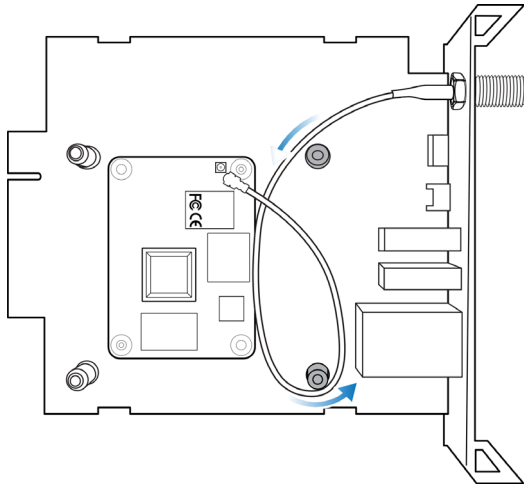


Figure 12.3-6 Correct routing of the antenna coax cable

**Note:** Do not make sharp bends or kinks to the coax cable, and do not route the cable across the Compute Module so that it is between the heatsink and Compute Module after the heatsink is installed.

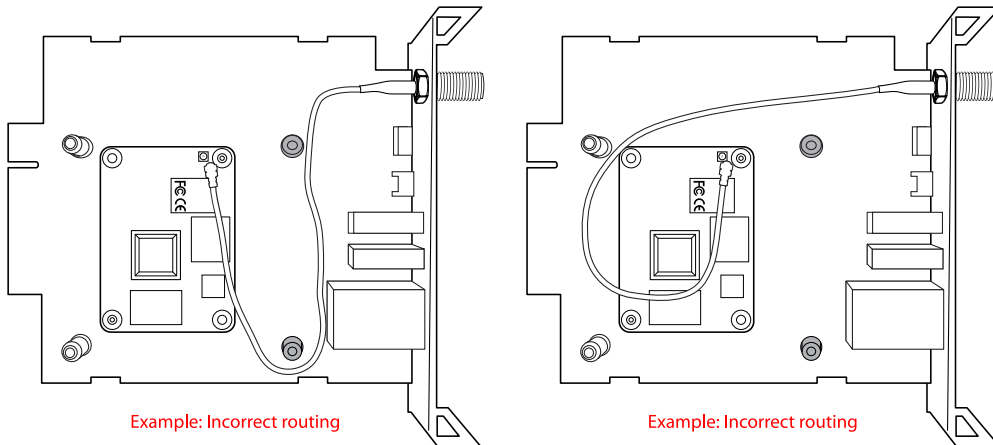
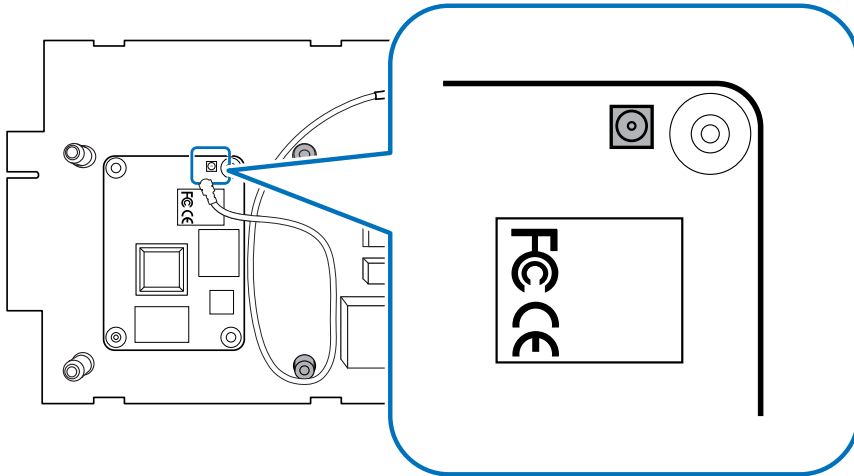


Figure 12.3-7 Examples of incorrect routing of the antenna coax cable

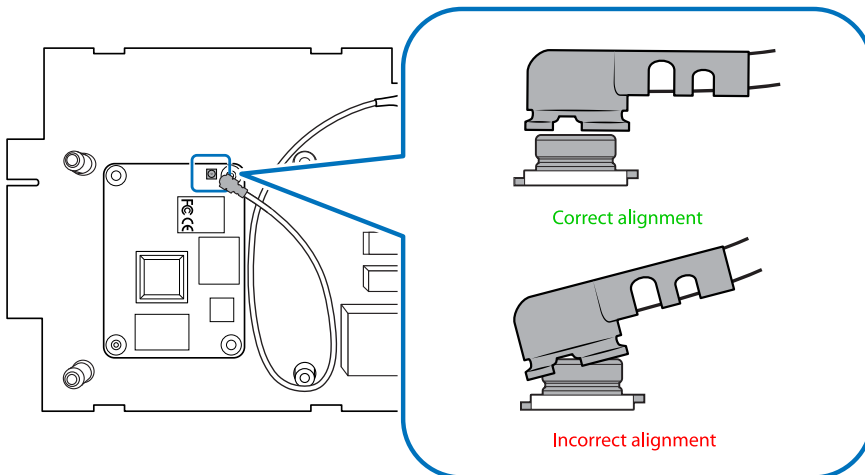
8. Locate the U.FL antenna receptacle connector on the Compute Module near the silver wireless module with the FCC and CE engraving.

**Note:** If needed, the FCC / ISED ID of the Compute Module is engraved onto the wireless module.



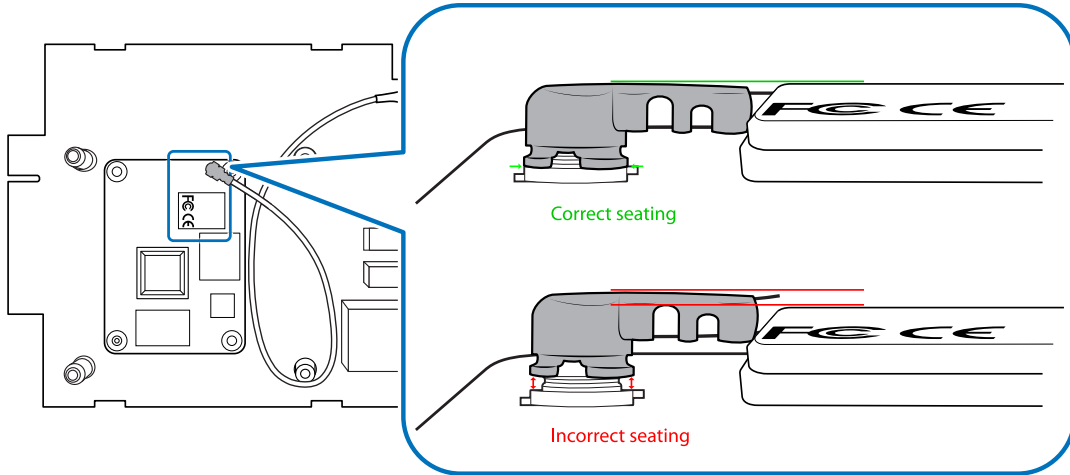
**Figure 12.3-8 U.FL antenna receptacle connector on the Compute Module**

9. Carefully align the antenna cable connector over the antenna receptacle connector on the Compute Module, with the coax cable routed over the corner of the Compute Module as shown.



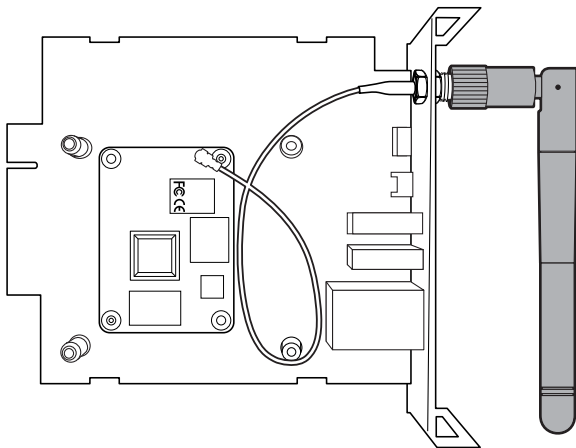
**Figure 12.3-9 U.FL antenna connector alignment of receptacle and cable**

- When in position, push the U.FL connector down onto the receptacle until it snaps into place and is correctly seated. The top of the connector should be parallel to and at the same height as the silver wireless module on the Compute Module. If the connector does not snap into place, carefully inspect both sides for any damage and try again.



**Figure 12.3-10 U.FL antenna connector seating on the Compute Module**

- Carefully inspect the antenna connectors and coax cable before proceeding to install the heat-sink. Confirm that the coax cable is routed correctly and will not be pinched by the heatsink and avoids being caught in the heatsink posts.
- When the entire assembly is complete attach the external antenna to the bracket.



**Figure 12.3-11 Attach external antenna**

- Proceed with installing the heatsink. See Section 2 on page 15

## 12.4 Enabling and disabling Wi-Fi at the hardware level

The Wi-Fi functionality of the Compute Module can be disabled at the hardware level by installing a header jumper across the pins on the Interface Board labeled `WF_nDisable`. Disabling at the hardware level overrides enabling Wi-Fi at the software level.

Do not jumper the header pins if the Wi-Fi functionality will be used. Note that Wi-Fi must also be enabled at the software level, as well as selecting the external antenna. See the next section for details.

Use the `raspi-config` tool in Raspberry Pi OS to configure the wireless functions at the software level.

There is a green diagnostic LED located on the Interface Board labeled `LED1007` that will illuminate when the Wi-Fi module is enabled at the hardware level. This LED will be visible through the ventilation holes on the back of the display when the board is installed.

## 12.5 Selecting the external antenna in software

The Compute Module 4 has a software defined antenna selection to select between the onboard antenna and an external antenna connected via the U.FL connector.

The onboard antenna will be covered by the heat-sink and enclosed within the metal case of the display and the signal will not radiate. Therefore, the external antenna must be selected in software.

To select the external antenna, edit the `config.txt` file in the boot folder/partition and edit or add the following line:

```
dtparam=ant2
```

Make sure that there is not also a line in the file selecting the internal antenna ( `dtparam=ant1` ).

## 12.6 Bluetooth functionality

At the time of writing, Bluetooth functionality is not yet certified for operation.

## 12.7 Troubleshooting wireless functionality

### Problem: Operating system does not detect the Wi-Fi module

Solution:

- Check that the interface board type is the DS1-IF21CE type with wireless functionality enabled. The type DS1-IF20CE interface board does not support wireless functionality.
- Check that a header jumper has not been installed across the pins on the Interface Board labeled `WF_nDisable`.
- Check if the green diagnostic LED located on the Interface Board labeled `LED1007` is illuminated, indicating that the Wi-Fi module is enabled at the hardware level. This LED will be visible through the ventilation holes on the back of the display when the board is installed.

- Confirm that the Wi-Fi drivers are available and have been enabled in the operating system being used. Raspberry Pi OS normally includes these drivers, but the Wi-Fi functionality must be manually configured and enabled.

---

**Problem: Poor or no Wi-Fi signal but Wi-Fi is enabled****Solution:**

- Confirm that the external antenna is selected in software see Section 12.4 on page 76.
- Confirm the external antenna is correctly connected to the SMA type socket on the bracket of the Interface Board.
- Check the internal coax cable for kinks or other damage.
- Confirm that the U.FL connector on the coax cable is correctly connected to the U.FL antenna receptacle on the Compute Module.
- Check for sources of external interference.

## 13 External reference information

---

**Main Raspberry Pi website:**

<https://www.raspberrypi.org/>

**Wikipedia page with listing of other supported operating systems:**

[https://en.wikipedia.org/wiki/Raspberry\\_Pi#Operating\\_systems](https://en.wikipedia.org/wiki/Raspberry_Pi#Operating_systems)

**Another listing of Raspberry Pi based operating system distributions:**

[http://elinux.org/RPi\\_Distributions](http://elinux.org/RPi_Distributions)

**Information for programming the Compute Module and updating the bootloader:**

<https://www.raspberrypi.org/documentation/hardware/computemodule/cm-emmc-flashing.md>

**Official specification of the Compute Module 4:**

<http://datasheets.raspberrypi.org/cm4/cm4-datasheet.pdf>

**Information on using raspi-config:**

<https://www.raspberrypi.org/documentation/configuration/raspi-config.md>

**Information on configuring boot overlays:**

<https://github.com/raspberrypi/firmware/blob/master/boot/overlays/README>

**Information configuring and uploading the bootloader:**

<https://github.com/raspberrypi/rpi-eeeprom>

**Information on using VNC to remotely control the desktop interface from another machine:**

<https://www.raspberrypi.org/documentation/remote-access/vnc/README.md>

**Accessing CEC (IR Remote) functionality using Python via the libcec library:**

---

<https://github.com/Pulse-Eight/libcec/blob/master/src/pyCecClient/pyCecClient.py>

## 14 Frequently Asked Questions

---

### **What video resolutions are recommended and supported?**

---

Using the display's native resolution of 3840x2160 is recommended. Other resolutions such as 1920x1080 can also be used.

The following video resolutions do not currently display correctly and should be avoided:

- 4096x2160 @ 60Hz (use the native 3840x2160 @ 60Hz instead)
- 1920x2160 @ 60Hz

### **Can the second HDMI output or camera inputs on the Compute Module 4 be accessed from the Interface Board?**

---

No. These connections are not exposed on the Interface Board.

### **Is the Raspberry Pi Compute Module functionality limited in some way, such as what software or Operating Systems can be used?**

---

No.

### **Are the GPIO pins on the Compute Module accessible and open to use?**

---

Currently the header on the NEC Compute Module Interface Board is not populated with header pins and is not officially supported. Some GPIO pins are used for display related functions as described elsewhere in this document.

### **What is the communications speed of the internal serial connection to the display?**

---

9600 baud. No parity. 8 bits data length with 1 stop bit.

### **Does Sharp NEC Display Solutions provide support for any software or Operating System on the Compute Module?**

---

Sharp NEC Display Solutions provides a Python based SDK for accessing the display control functionality via the internal serial connection. Support for other software or Operating Systems are not provided by Sharp NEC Display Solutions. See Python Based NEC PD SDK on page 65.



---

**Does the NEC Compute Module Interface Board provide SD card support to use instead of the onboard eMMC memory?**

---

No.

---

**Can the video output of the Compute Module be daisy-chained to another display via the DisplayPort Output connection?**

---

No. Some display models can output to the HDMI Output. See below.

---

**Can the video output of the Compute Module be daisy-chained to another display via the HDMI Output connection?**

---

Yes. The video output of the Compute Module can be output on the HDMI OUT connector and daisy-chained to another display on the following display models:

- MA431       P435
- MA491       P495
- MA551       P555

Note that at this time, copyright-protected content cannot output on the display's HDMI Output connection as the Compute Module 4 does not currently support HDCP.

*The following display models do not support this feature:*

- M431       ME431
- M491       ME501
- M551       ME551
- M651       ME651

---

**Is it possible to run Android OS on the Compute Module?**

---

There are currently some experimental builds of Android for the Raspberry Pi; however, these are probably not stable enough to be used for professional and commercial applications and may not even work on the Compute Module version of the Raspberry Pi.

---

**Does the Compute Module 4 provide support for Wi-Fi or Bluetooth?**

---

Versions of the Compute Module with built-in wireless functionality together with the DS1-IF21CE interface board can be used to provide Wi-Fi using an external antenna. At the time of writing the Bluetooth function is disabled by the Interface Board pending regulatory approvals.

## **Is it possible to boot directly to an external USB drive instead of the onboard eMMC memory?**

---

Yes. The Compute Module 4 Bootloader can be modified to change the boot order to directly boot from a USB drive. Details of configuring and uploading the bootloader are available from Raspberry Pi:

<https://github.com/raspberrypi/rpi-eeeprom>

Note that the EEPROM of the Compute Module can be write protected to prevent the bootloader from being updated by installing a jumper across the `EEPROM_nWP` pins on the Interface Board.

## **What is the LAN MAC address of the Compute Module?**

---

The LAN MAC address is assigned by the Compute Module itself and is derived from the CPU serial number.

The first 3 octets (B8:27:EB) are fixed and assigned to Raspberry Pi Foundation. The remaining 3 octets are the last 6 hex digits of the CPU serial number. For example, if the CPU serial number is 000000096bf4e08 the MAC address will be B8:27:EB:BF:4E:08. The CPU serial number can be obtained by using:

```
cat /proc/cpuinfo
```

Note that **both** the Gigabit and 10/100 Mbps LAN interfaces will be assigned a MAC address based on the serial number of the Compute Module. At the time of writing, Raspberry Pi OS will assign identical MAC and IP addresses to both interfaces. This will lead to an illegal ethernet condition if both network ports are connected to the same network and may result in degraded or no network connectivity.

## **What is the Wi-Fi MAC address of the Compute Module?**

---

On Raspberry Pi OS, the Wi-Fi MAC address is derived similarly to the LAN MAC address, except the bottom 48 bits of the CPU serial number is XOR'd with 0x555555 to avoid colliding with the LAN MAC address. Other operating systems may assign the MAC address differently.

## **How long does it take to program the Compute Module?**

---

It depends on the size of the image being programmed. USB read and write speeds are typically 5MB/s. So, a 4GB image will take approximately 13 minutes to write. That time will double if verification is used.

## **How can I find out the LAN IP or MAC address of the host display from the Compute Module?**

---

The Python SDK includes the functions `command_ip_address_read()` and `command_lan_mac_address_read()` that will return the IP and MAC address of the display if it has been configured with a static IP address.

---

**How can the Compute Module be automatically shut down when the display is turned off?**

---

Power settings for the Compute Module are managed in the display's OSD **SLOT** menu. The auto shutdown control in that menu will enable performing a shutdown of the Compute Module when the display is turned off via a command, power button, OSD menu, or IR Remote. See Auto Shutdown in section 6.5 on page 45.

---

**Are the NEC displays compatible with the Compute Module 4 Lite?**

---

No. The CM Lite requires SD card support.

# 15 Known Issues

---

## Display Firmware

---

- No known issues

## Video Related

---

- The following video resolutions do not currently display correctly and should be avoided:
  - 4096x2160 @ 60Hz (use the native 3840x2160 @ 60Hz instead)
  - 1920x2160 @ 60Hz

## 16 Support

---

For more general support on the Raspberry Pi, Raspberry Pi OS, and the Compute Module, it is recommended to visit the support forums at the Raspberry Pi Foundation:

<https://www.raspberrypi.org/forums/>

The latest version of this document, additional information, downloads, and feedback forms specifically relating to using the Raspberry Pi Compute Module together with a supported NEC display model are available here:

<https://www.sharpnecdisplays.us/support-and-services/raspberrypi/244>

The latest display firmware is available from the following location:

[https://www.sharp-nec-displays.com/dl/en/dp\\_soft/pd\\_fm\\_update/index.html](https://www.sharp-nec-displays.com/dl/en/dp_soft/pd_fm_update/index.html)

## 17 Disclaimer

---

Failure to correctly install the wireless related components as described in this document may cause unwanted interference and degraded performance. Please carefully follow the instructions provided when installing the antenna components to ensure compliance with local EMC laws and regulations. No responsibility is assumed for non-compliance related to incorrect installation.